

YAMAHA

YAMAHA

YZF-R1 P/PC 2002

PARTS CATALOG

BEST VIEW 1024 BY 768 PIXELS

CDS ORDER



**PARTS CATALOGUE
MODEL YEAR 2002**

YZF-R1

YZF-R1P (5PW4) U49

YZF-R1PC (5PW5) CALIFORNIA

STARTING VIN (5WP4): JYARN10E*2A000007 and following
STARTING VIN (5WP5): JYARN10Y*2A000005 and following

Color Code	Color-Rite Code	Color Name	Abbreviation
0564	5815	DEEP PURPLISH BLUE METALLIC C	(DPBMC)
0390	1090 + 5584	BLUISH WHITE COCKTAIL 1	(BWC1)
0121	1065 + 5335	VIVID RED COCKTAIL 1	(VRC1)
0390	1090 + 5584	BLUISH WHITE COCKTAIL 1	(BWC1)
0791	5175	SILVER 3	(S3)
0582	5988	MAT BLACK 2	(MBL2)

OWNERS LIT-11626-15-47
ASSEMBLY LIT-11666-15-47
SERVICE LIT-11616-15-47

FOREWORD

-INTRODUCTION- To The Yamaha Parts Fiche

This parts fiche lists parts and sub-assemblies for the YZF-R1P.C. When preparing a parts order, please refer to the most recently updated microfiche for this model.

THE YAMAHA PARTS FICHE

SYMBOLS

I	Inactive, no longer available
U.R.	Use size (thickness) and/or number as required
U.N.	Use as many as you need
T	Number of teeth in a gear
V	Voltage for light bulbs
S	"S" type oil seal or "SS" type circlip
SD,SO,SW	"SD", "SO", or "SW" type oil seal
E.R.	"E" or "R" type circlip
F.No.	Frame No. (Applicable Machine No.)
L.M.	Locally made
O.L.	Obtain locally
AP	Alternate Part

SUPERSEDED PART NUMBERS

If part 'A' has been superseded by part 'B', the superseding part number "B" will appear in the part number listing with the superseded part number "A" appearing in parentheses immediately following the description.

EXAMPLE:

Ref. No.	Part No.	Description	Qty.
	(Part 'B')	(Part 'A')	
8	123-45678-00-00	CYLINDER (111-12345-00-00).....1	

A part that has been superseded to a kit may be identified by a 99999-00000-00 part number appearing in the part number column. The old superseded part number will appear in parentheses immediately following the description. Listed directly below the 99999 part number will be those parts making up the kit. The description of the parts making up the kit will be preceded by a small black dot (.), and the description will be indented one letter space.

EXAMPLE:

Ref. No.	Part No.	Description	Qty.
8	99999-12345-00	CYLINDER (111-12345-00-00)	1
	234-56789-00-00	• HEAD, CYLINDER	1

SIZES

Except for steel balls (ball sizes are indicated in inches), all parts sizes are indicated in millimeters as in the following examples:

Hose (Rubber or Vinyl).....	Inside Diameter - Length
O-Ring.....	Section Area - Inside Diameter
Washer, Shim, Collar.....	Inside Diameter - Outside Diameter Thickness (Length)

ASSEMBLIES AND COMPONENT PARTS

Assemblies and their component parts, are identified by an indentation of one letter space, and the description is preceded by a dot (.). If two main assemblies are listed, and have the same basic description (i.e.: left and right sides of the same assembly), one will immediately follow the other. If each of these main assemblies is made up of almost the same components, these component parts will be listed immediately under the second main assembly line and will be indicated, as noted above.

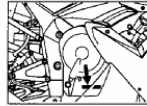
If the component is the same for both main assemblies, the quantity indicated will be the total required. If the component is not the same for both main assemblies, the quantity for each separate item will be listed separately.

EXAMPLE:

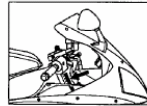
Description	Qty
CARBURETOR ASSY, LEFT.....	1
CARBURETOR ASSY, RIGHT.....	1
JET, PILOT.....	2
NOZZLE, MAIN.....	2
LEVER, STARTER, LEFT.....	1
LEVER, STARTER, RIGHT.....	1

APPLICABLE SERIAL NO.

(1) Engine Serial No.



(2) Frame Serial No.

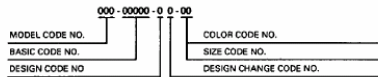


FOREWORD

THE YAMAHA PART NUMBER

The Yamaha part number consists of 12 digits. Each number represents a specific piece of information relating to a replacement part. The following is a guide for reading and interpreting the Yamaha part number.

BASIC PART NUMBER CONFIGURATION:



MODEL CODE NUMBER

FIRST THREE DIGITS... 000-00000-00-00

Every model in each Yamaha product line is assigned a model number to identify that particular model. All component parts are given the model code number relating to the model on which they were first used.

Example: 4DU-00000-00-00 identifies the XJ600SE.
3FA-00000-00-00 identifies the YF41E.

BASIC CODE NUMBER

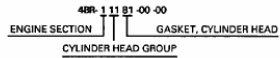
MIDDLE FIVE DIGITS... 000-00000-00-00

These "Middle Five Digits" indicate the type of part i.e., piston, rings, lower units, etc. The five digits are broken down as follows:



The "Major Classification" indicates the section to which the parts belong, i.e., engine, electrical etc. The "Intermediate" and "Minor Classifications" indicate more specific details.

Example:



DESIGN CODE NUMBER: 000-00000-00-00

The design code distinguishes like component parts from one another when specification differences are involved. For example, distinguishing a standard size piston ring from an oversized piston ring.

Example:

4BR-11610- 0 0-00 Standard Piston Ring Set for XJ600SE
4BR-11610- 2 0-00 Oversize Piston Ring Set for XJ600SE

DESIGN CHANGE CODE NUMBER: 000-00000-00-00

This code number is used to identify a difference between a new component part and old one when a new part is created by changing the old one.

Example: YFZ350E

2GU-11610-0 0-00 PISTON RING SET, STD. - ORIGINAL
2GU-11610-0 1-00 PISTON RING SET, STD. - FIRST DESIGN CHANGE

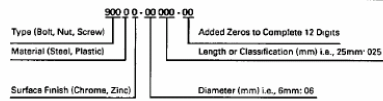
Only major changes to performance, durability, quality, appearance, cost or interchangeability will affect a part number change.

COLOR CODE & SIZE CODE NUMBER: 000-00000-00-00

When applicable, the last two digits of the part number identify:

1. Color Code: The painted color or type of plating or surface treatment used on certain parts.
2. Size Code: The last two digits are also used to show the size of parts (mm). Such as the thickness of shims or the size of pistons.

HARDWARE (Fastener) PART NUMBER CONFIGURATION:



TYPE:

A fastener part number always begins with the number "9" followed by either a 0, 1, 2, 3, 4, 5, 6, 7 or 8 designating one of eight major divisions within this group.


FOREWORD

Example:

- 9 0 000-0000-00 "0" designates various types.
- 9 1 000-0000-00 "1" designates bolts, cotter pins, etc.
- 9 2 000-0000-00 "2" designates screw, nuts, etc.
- 9 3 000-0000-00 "3" designates oil seals, o-rings, bearings, etc.
- 9 4 000-0000-00 "4" designates spark plugs.
- 9 5 000-0000-00 "5" designates bolts and nuts.
- 9 7 000-0000-00 "7" designates ISO bolts.
- 9 8 000-0000-00 "8" designates ISO screws and nuts.

The only major divisions which the mechanic should become familiar with are those related to the general hardware (nuts, bolts, and washers), since these are the most commonly used and most often replaced items. By knowing how to interpret the part number, the dimensions of a piece of hardware can be determined. This can be very helpful during major engine repair, and general parts replacement.


BOLT EXAMPLE:

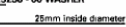
91311 - 06 018 - 00


EXCEPTION:

It is NOT possible to identify the LENGTH of bolts having a 901 prefix. Only the bolt diameter can be identified with this number.

NUT AND WASHER EXAMPLE:

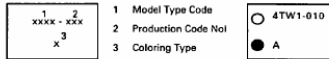
95301 - 08600 - 00 NUT


90201 - 25280 - 00 WASHER


-MODEL LABEL-

A label called "Model Label" is affixed in the location as indicated in (3) below. When using this parts catalogue, please be sure to cross-reference the "model code - production code No." in the catalogue to the "model code - production code No." indicated on the Model Label affixed onto the product concerned.

"MODEL LABEL" INDICATION



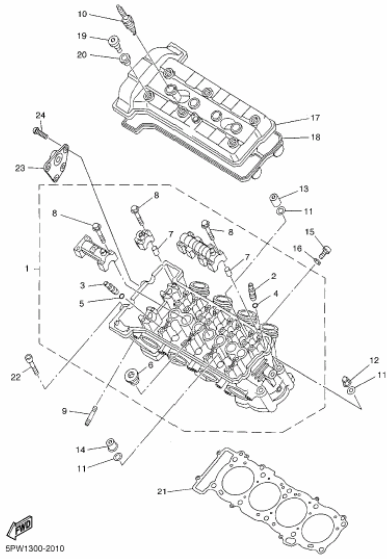
MODEL LABEL AFFIXING LOCATION



MODEL CODE - PRODUCTION CODE NUMBER OF MODEL LISTED IN THIS PARTS CATALOG

Model Code	Production Code No.	Country (destination)
5PW4		U49
5PW5		CA

Catalog Title:
2002 YZF-R1P/PC



Block No.
A-5

Block Title:
CYLINDER

Yamaha

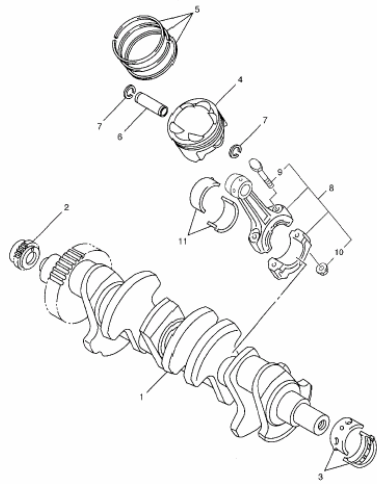
Ref. No.	Part No.	Description
1	5PW-11101-01-00	UNAVAILABLE
2	4KV-11133-00-00	* UNAVAILABLE
3	1WG-11133-01-00	* UNAVAILABLE
4	93440-07149-00	* CIRCLIP,OUTER
5	93440-10153-00	* CIRCLIP,OUTER
6	90340-27001-00	* PLUG, STRAIGHT SCR
7	91808-16023-00	* PIN, DOWEL
8	90105-06025-00	* BOLT, WASHER BASED
9	95617-08625-00	BOLT, STUD 3
10	NGK-CR8E1-X0-00	SPARK PLUG CR8E1-X0
11	90201-10013-00	WASHER, PLATE
12	90176-10075-00	NUT, CROWN
13	90179-10006-00	NUT
14	90179-10414-00	NUT, SPEC'L SHAPE
15	95027-06012-00	BOLT, FLANGE (4MY)
16	90430-06014-00	GASKET
17	5PW-11191-00-00	UNAVAILABLE
18	5PW-11193-00-00	UNAVAILABLE
19	90109-068FD-00	BOLT
20	4KG-1111G-00-00	RUBBER, MOUNT 1
21	5PW-11181-00-00	UNAVAILABLE
22	91317-0600G-00	BOLT (4MY)
23	5PW-11119-00-00	UNAVAILABLE
24	90149-06020-00	UNAVAILABLE

Catalog Title:
2002 YZF-R1P/PC

Yamaha

Block No. Block Title:
A-6 CRANKSHAFT_PISTON

Ref. No.	Part No.	Description
1	4XV-11411-00-00	CRANKSHAFT
2	4XV-11549-00-00	SPROCKET, CAM CHAI
3	3GM-11416-00-00	PLANE BRNG,CRSF 1
3	3GM-11416-A0-00	PLANE BEARING, CRA
3	3GM-11416-20-00	PLANE BRNG,CRSF 1
3	3GM-11416-10-00	PLANE BRNG,CRSF 1
3	3GM-11416-B0-00	PLANE BEARING, CRA
4	4XV-11631-10-00	UNAVAILABLE
5	5LV-11603-00-00	PISTON RING SET (S
6	4XV-11633-00-00	PIN, PISTON
7	90468-12069-00	CLIP
8	5PW-11650-00-00	UNAVAILABLE
9	5JW-11654-00-00	* UNAVAILABLE
10	90179-06327-00	* NUT, SPEC'L SHAPE
11	3GM-11656-00-00	PLANE BRNG,CON ROD
11	3GM-11656-10-00	PLANE BRNG,CON ROD
11	3GM-11656-A0-00	PLANE BEARING, CON
11	3GM-11656-B0-00	PLANE BEARING, CON



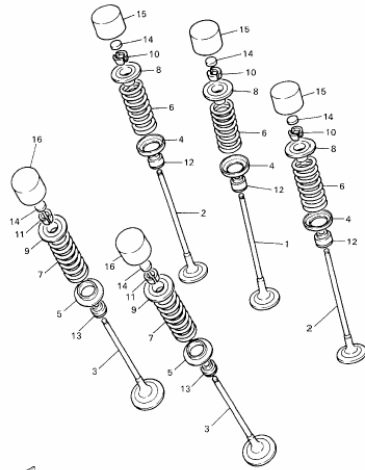
 SPW1300-2020

Catalog Title:
2002 YZF-R1P/PC

Block No.
A-7

Block Title:
VALVE

Ref. No.	Part No.	Description
1	4XV-12111-00-00	VALVE, INTAKE
2	4XV-12112-00-00	VALVE, INTAKE 2
3	5LV-12121-00-00	VALVE, EXHAUST
4	1HX-12116-01-00	UNAVAILABLE
5	3GM-12126-00-00	SEAT, VALVE SPRING2
6	4XV-12113-00-00	SPRING, VALVE INNE
7	4XV-12114-00-00	SPRING, VALVE OUTE
8	1HX-12117-00-00	RETAINER, VALVE SP
9	1WG-12117-00-00	RETAINER, VALVE SPR
10	1HX-12118-00-00	COTTER, VALVE
11	1WG-12118-00-00	COTTER, VALVE
12	4TV-12119-00-00	SEAL, VALVE STEM
13	4SV-12119-00-00	SEAL, VALVE STEM
14	1HX-12168-00-00	PAD, ADJUSTING
14	1HX-12168-20-00	PAD, ADJUSTING
14	1HX-12168-40-00	PAD, ADJUSTING
14	1HX-12168-60-00	PAD, ADJUSTING
14	1HX-12168-80-00	PAD, ADJUSTING
14	1HX-12168-40-00	PAD, ADJUSTING
14	1HX-12168-F0-00	PAD, ADJUSTING
14	1HX-12168-H1-00	PAD, ADJUSTING
14	1HX-12168-K1-00	PAD, ADJUSTING
14	1HX-12168-M1-00	PAD, ADJUSTING
14	1HX-12168-R1-00	PAD, ADJUSTING
14	1HX-12168-U1-00	PAD, ADJUSTING

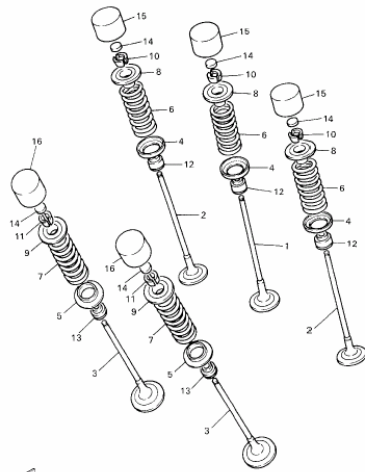


4XV362-0000

Catalog Title:
2002 YZF-R1P/PC

Block No.
A-7

Block Title:
VALVE



4XV362-0030

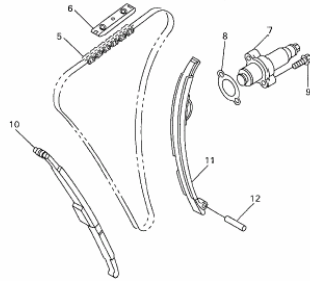
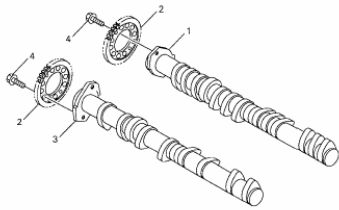
Ref. No.	Part No.	Description
14	1HX-12168-W1-00	PAD,ADJUSTING
14	1HX-12168-Y1-00	PAD,ADJUSTING
14	1HX-12169-11-00	PAD,ADJUSTING
14	1HX-12169-31-00	PAD,ADJUSTING
14	1HX-12169-50-00	PAD,ADJUSTING
14	1HX-12169-70-00	PAD,ADJUSTING
14	1HX-12169-90-00	PAD,ADJUSTING
14	1HX-12169-ED-00	PAD,ADJUSTING
14	1HX-12169-G0-00	PAD,ADJUSTING
14	1HX-12169-J0-00	PAD,ADJUSTING
14	1HX-12169-L0-00	PAD,ADJUSTING
14	1HX-12169-N0-00	PAD,ADJUSTING
14	1HX-12169-T0-00	PAD,ADJUSTING
15	3LN-12153-20-00	LIFTER,VALVE
15	3LN-12153-09-00	LIFTER,VALVE
16	3FV-12153-09-00	LIFTER,VALVE
16	3FV-12153-20-00	LIFTER,VALVE
16	3FV-12153-30-00	LIFTER, VALVE

Catalog Title:
2002 YZF-R1P/PC

Yamaha

Block No. Block Title:
A-9 CAMSHAFT, CHAIN

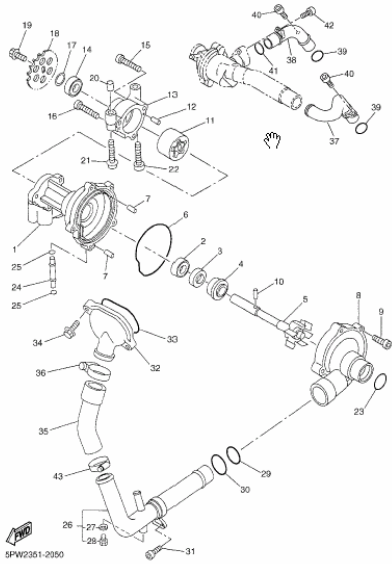
Ref. No.	Part No.	Description
1	5JJ-12171-00-00	CAMSHAFT 1
2	4XV-12176-00-00	SPROCKET, CAM CHAI
3	5PW-12181-00-00	UNAVAILABLE
4	90105-07342-00	BOLT, WASHER BASED
5	94591-49130-00	CHAIN
6	5BE-12241-00-00	GUIDE, STOPPER 2
7	5PW-12210-00-00	UNAVAILABLE
8	4FM-12213-00-00	GASKET, TENSNR CASE
9	95027-06025-00	90105-06040-00
10	4XV-12251-00-00	DAMPER, CHAIN 1
11	5PW-12252-00-00	UNAVAILABLE
12	93607-44190-00	PIN, DOWEL



 4XV352-604D

Catalog Title:
2002 YZF-R1P/PC

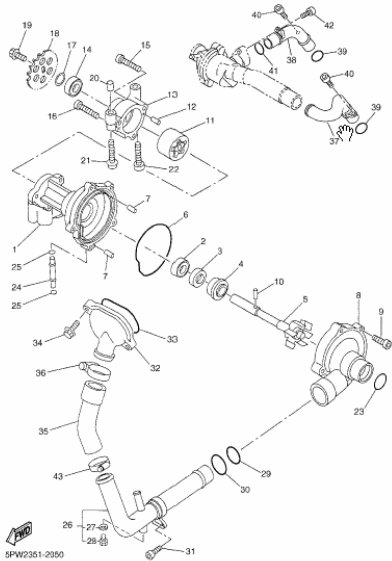
Block No. Block Title:
A-10 WATER PUMP



Ref. No.	Part No.	Description
1	4XV-12421-00-00	HOUSING, WATER PUM
2	93305-00105-00	» BEARING
3	93102-12372-00	OIL SEAL
4	11H-12438-10-00	» SEAL, MECHANICAL
5	4XV-12450-00-00	IMPELLER SHAFT ASS
6	4XV-12439-00-00	O-RING
7	93604-10011-00	PIN,DOWEL
8	4XV-12422-00-00	COVER, HOUSING
9	91317-06025-00	BOLT (4MY)
10	93603-17070-00	PIN,DOWEL
11	4XV-13310-00-00	ROTOR ASSY 1
12	93603-12007-00	PIN,DOWEL
13	4XV-13336-00-00	HOUSING, ROTOR
14	93305-00105-00	» BEARING
15	91317-06035-00	BOLT (4MY)
16	91317-06040-00	BOLT (4MY)
17	90201-12541-00	WASHER,PLATE
18	4XV-13355-00-00	SPROCKET, DRIVEN
19	95817-06014-00	BOLT, FLANGE
20	91805-30031-00	PIN,DOWEL
21	90110-06026-00	UNAVAILABLE
22	90110-06065-00	UNAVAILABLE
23	93210-357A2-00	O-RING
24	4XV-12485-00-00	PIPE 5
25	93210-06667-00	O-RING

Catalog Title:
2002 YZF-R1P/PC

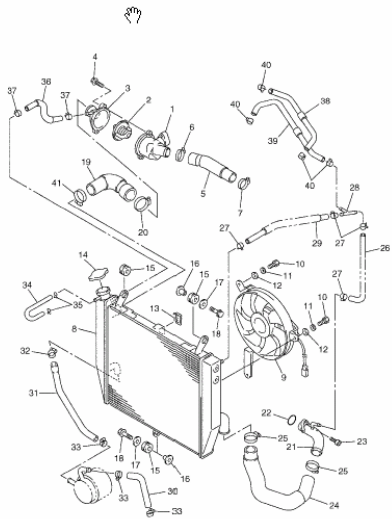
Block No. Block Title:
A-10 WATER PUMP



Ref. No.	Part No.	Description
26	5PW-12481-00-00	UNAVAILABLE
27	90490-06014-00	* GASKET
28	90153-06029-00	* SCREW, HEXAGON
29	93210-235A1-00	O-RING
30	93210-27370-00	93210-27778-00
31	90110-06018-00	UNAVAILABLE
32	5JJ-12469-00-00	JOINT 1
33	93210-47875-00	O-RING
34	95027-06020-00	BOLT, FLANGE(6U1)
35	5JJ-12576-00-00	HOSE 1
36	90450-38040-00	HOSE CLAMP ASSY
37	5PW-12482-00-00	UNAVAILABLE
38	5PW-12483-00-00	UNAVAILABLE
39	93210-18417-00	O-RING
40	91317-06016-00	BOLT (4MY)
41	93210-18417-00	O-RING
42	91317-06012-00	BOLT (4MY)
43	90450-35001-00	HOSE CLAMP ASSY

Catalog Title:
2002 YZF-R1P/PC

Block No. Block Title:
A-12 RADIATOR HOSE



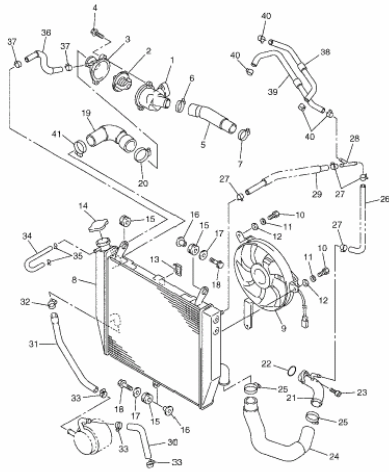
Ref. No.	Part No.	Description
1	5PW-12417-00-00	UNAVAILABLE
2	4FM-12410-00-00	THERMOSTAT ASSY
3	5PW-12413-00-00	UNAVAILABLE
4	95027-06025-00	90105-060A0-00
5	5PW-12577-00-00	UNAVAILABLE
6	90450-32015-00	HOSE CLAMP ASSY
7	90450-28014-00	HOSE CLAMP ASSY
8	5PW-12461-00-00	UNAVAILABLE
9	5PW-12405-00-00	UNAVAILABLE
10	97017-06012-00	BOLT
11	92907-06100-00	WASHER, SPRING
12	92907-06600-00	WASHER, PLATE (ETA)
13	1AA-12535-00-00	PLATE
14	3XP-12462-00-00	CAP, RADIATOR
15	90480-15363-00	GRCMMET
16	90387-07391-00	COLLAR
17	90201-06312-00	WASHER, PLATE
18	95817-06025-00	BOLT, FLANGE
19	5PW-12579-00-00	UNAVAILABLE
20	90450-38040-00	HOSE CLAMP ASSY
21	5PW-12484-00-00	UNAVAILABLE
22	95210-23787-00	O-RING
23	90110-06018-00	UNAVAILABLE
24	5PW-12551-00-00	UNAVAILABLE
25	90450-35001-00	HOSE CLAMP ASSY

 5PW2351-2000



Catalog Title:
2002 YZF-R1P/PC

Block No. Block Title:
A-12 RADIATOR HOSE



Ref. No.	Part No.	Description
26	5PW-1243A-00-00	UNAVAILABLE
27	90467-10135-00	CLIP,SCISSOR
28	90413-07023-00	WAY 3
29	5PW-1244G-00-00	UNAVAILABLE
30	5PW-12588-00-00	UNAVAILABLE
31	5PW-12589-00-00	UNAVAILABLE
32	90450-25037-00	HOSE CLAMP ASSY
33	90450-19001-00	UNAVAILABLE
34	90445-094K7-00	HOSE
35	90467-08003-00	CLIP,SCISSOR
36	5PW-12552-00-00	UNAVAILABLE
37	90467-10135-00	CLIP,SCISSOR
38	5PW-1243E-00-00	UNAVAILABLE
39	5PW-1243F-00-00	UNAVAILABLE
40	90467-10135-00	CLIP,SCISSOR
41	90450-35001-00	HOSE CLAMP ASSY



5PW2351-2000

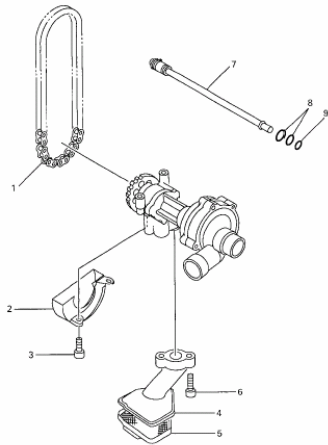

 Catalog Title:
2002 YZF-R1P/PC

Yamaha

Block No.
B-2

Block Title:
OIL PUMP

Ref. No.	Part No.	Description
1	94480-25075-00	CHAIN (DID25 78LE)
2	5PW-13527-00-00	UNAVAILABLE
3	90110-06018-00	UNAVAILABLE
4	5PW-13412-00-00	UNAVAILABLE
5	4XV-13411-00-00	STRAINER, OIL
6	90110-06047-00	BOLT, HEXAGON SOCK
7	5JJ-1318E-00-00	PIPE, DELEVRY 5
8	93210-09350-00	O-RING
9	93210-06667-00	O-RING



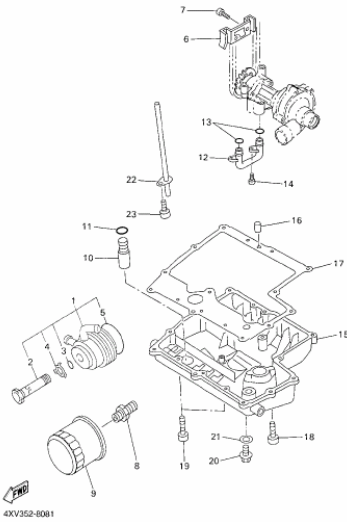

 4XV352 8070

Catalog Title:
2002 YZF-R1P/PC

Yamaha

Block No.
B-3

Block Title:
OIL CLEANER



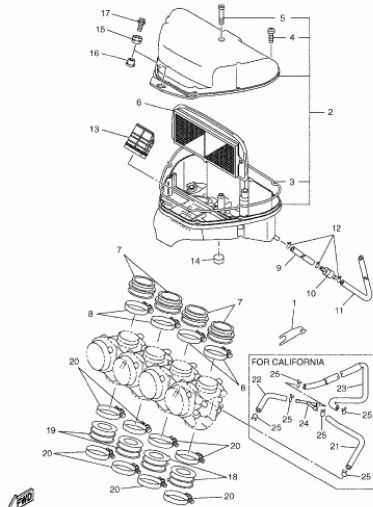
Ref. No.	Part No.	Description
1	5PW-13470-00-00	UNAVAILABLE
2	5PW-12522-00-00	* UNAVAILABLE
3	5PW-13473-00-00	* UNAVAILABLE
4	5PW-13318-00-00	* UNAVAILABLE
5	5PW-13475-00-00	* UNAVAILABLE
6	4XV-13898-00-00	HOLDER
7	91317-06012-00	BOLT (4MY)
8	90401-20145-00	BOLT UNION
9	5GH-13440-00-00	ELEMENT ASSY, OIL CL
10	5PW-13490-00-00	UNAVAILABLE
11	93210-15566-00	O-RING
12	4XV-13416-00-00	PIPE, OIL 1
13	93210-14003-00	UNAVAILABLE
14	91317-06012-00	BOLT (4MY)
15	5PW-13417-00-00	UNAVAILABLE
16	99530-08012-00	PIN, DOWEL
17	5LV-13414-00-00	GASKET, STRAINER C
18	91317-06025-00	BOLT (4MY)
19	91317-06025-00	BOLT (4MY)
20	90340-14132-00	PLUG, STRAIGHT SCRW
21	214-11198-01-00	GASKET
22	5PW-13161-00-00	UNAVAILABLE
23	90110-06015-00	UNAVAILABLE

Catalog Title:
2002 YZF-R1P/PC

Yamaha

Block No.
B-4

Block Title:
INTAKE



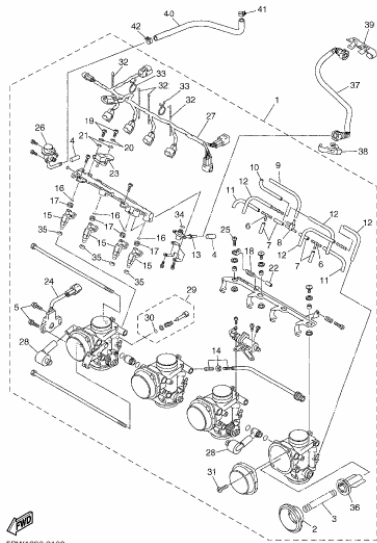
SPW3100-2000

Ref. No.	Part No.	Description
1	5JJ-14414-00-00	STAY 2
2	5PW-14401-00-00	UNAVAILABLE
3	4XV-14452-00-00	* SEAL
4	98507-05025-00	* SCREW, PAN HEAD
5	98507-05045-00	* SCREW, PAN HEAD
6	5PW-14451-00-00	UNAVAILABLE
7	5PW-14453-00-00	UNAVAILABLE
8	90450-53002-00	UNAVAILABLE
9	90445-11295-00	HOSE
10	4X7-2149Y-00-00	FILTER ASY
11	90445-11013-00	HOSE
12	90467-10008-00	CLIP, SCISSOR
13	5PW-14437-00-00	UNAVAILABLE
14	4XV-20371-00-00	DAMPER
15	90480-12497-00	GROMMET
16	90387-06535-00	* COLLAR
17	95817-06020-00	BOLT, FLANGE
18	5PW-13597-00-00	UNAVAILABLE
19	5PW-13598-00-00	UNAVAILABLE
20	90450-63001-00	UNAVAILABLE
21	5PW-14465-00-00	UNAVAILABLE
22	5PW-14466-00-00	UNAVAILABLE
23	5PW-14463-00-00	UNAVAILABLE
24	90413-08012-00	WAY 3
25	90467-10008-00	CLIP, SCISSOR

Catalog Title:
2002 YZF-R1P/PC

Block No.
B-5

Block Title:
INTAKE 2



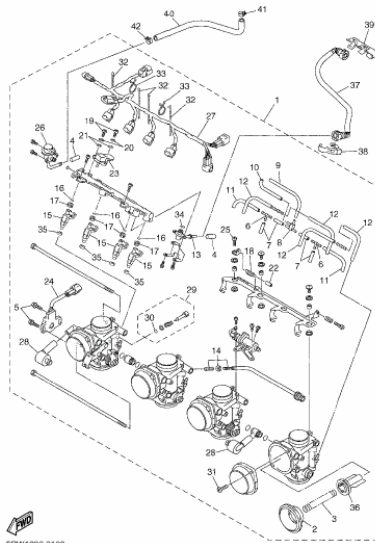
SPW1300-2100

Ref. No.	Part No.	Description
1	5PW-13750-00-00	UNAVAILABLE
1	5PW-13750-20-00	UNAVAILABLE
2	5PW-24411-00-00	» UNAVAILABLE
3	4KM-14933-00-00	» SPRING,DIAPHRAGM
4	5JW-14118-00-00	» UNAVAILABLE
5	8CC-14216-10-00	» SCREW
6	66V-24376-00-00	» UNAVAILABLE
7	5FL-14348-10-00	» PIPE 1
8	5PW-1410F-00-00	» UNAVAILABLE
9	5PW-14348-00-00	» UNAVAILABLE
10	5PW-14349-00-00	» UNAVAILABLE
11	5FL-14348-00-00	» PIPE 1
12	5PW-14396-00-00	» UNAVAILABLE
13	5JW-12881-00-00	» UNAVAILABLE
14	5PW-14103-00-00	» UNAVAILABLE
15	5PW-13761-00-00	» UNAVAILABLE
16	5FL-14147-00-00	» UNAVAILABLE
17	5FL-13766-00-00	» UNAVAILABLE
18	5JW-14589-00-00	» UNAVAILABLE
19	90157-05M19-00	» SCREW,PAN HEAD
20	92907-05100-00	» WASHER(3SX)
21	92907-05600-00	» WASHER(1RW)
22	5DM-14936-00-00	» SEAT, SPRING
23	5JW-82380-00-00	» UNAVAILABLE
24	5PW-85885-00-00	» UNAVAILABLE

Catalog Title:
2002 YZF-R1P/PC

Block No.
B-5

Block Title:
INTAKE 2



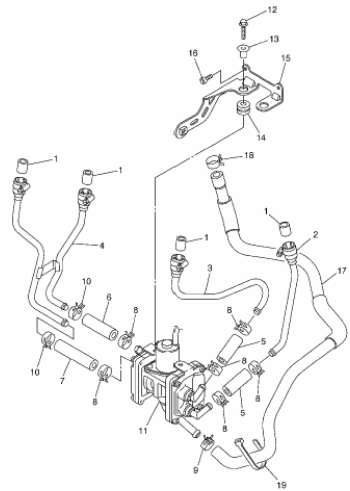
SPW1300-2100

Ref. No.	Part No.	Description
25	98580-04010-00	» SCREW,PAN HEAD
26	5PW-13926-00-00	» UNAVAILABLE
27	5PW-82386-00-00	» UNAVAILABLE
28	3LN-24515-00-00	» NET, FILTER 2
29	5JW-14104-00-00	» UNAVAILABLE
30	3H1-14147-00-00	» O-RING
31	4KM-14216-00-00	» SCREW
32	4KM-14137-00-00	» CLIP,PIPE
33	5PW-14137-00-00	» UNAVAILABLE
34	5JW-14147-00-00	» UNAVAILABLE
35	90430-09002-00	» GASKET
36	5PW-14112-00-00	» UNAVAILABLE
37	5PW-13971-00-00	UNAVAILABLE
38	90464-16007-00	UNAVAILABLE
39	90464-16005-00	UNAVAILABLE
40	5PW-13972-00-00	UNAVAILABLE
41	90467-12003-00	UNAVAILABLE
42	90467-120A1-00	UNAVAILABLE

Catalog Title:
2002 YZF-R1P/PC

Block No. Block Title:
B-7 AIR INDUCTION SYSTEM

Yamaha

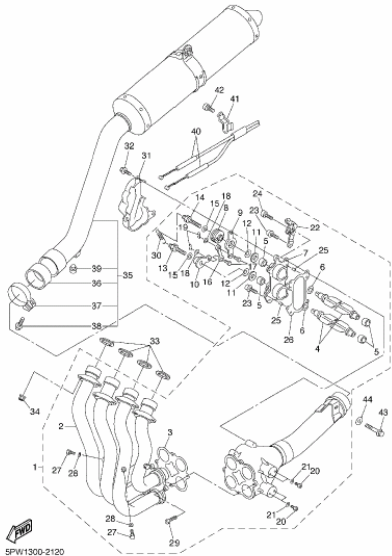


Ref. No.	Part No.	Description
1	4KM-14714-01-00	GASKET, MUFFLER
2	5JJ-14872-00-00	PIPE 2
3	5PW-14873-00-00	UNAVAILABLE
4	5JJ-14874-00-00	PIPE 4
5	5JJ-14862-00-00	HOSE, BEND 2
6	5JJ-14863-00-00	HOSE, BEND 3
7	5JJ-14866-00-00	HOSE, BEND 6
8	90467-15054-00	CLIP, SCISSOR
9	90467-16181-00	UNAVAILABLE
10	90467-15001-00	CLIP
11	5PW-14903-00-00	UNAVAILABLE
12	95817-06020-00	BOLT, FLANGE
13	90387-07391-00	COLLAR
14	90480-14229-00	GROMMET
15	5PW-14868-00-00	UNAVAILABLE
16	91317-06012-00	BOLT (MM)
17	5PW-14981-00-00	UNAVAILABLE
18	90467-17128-00	CLIP
19	90464-15195-00	CLAMP

 5PW1300-2110

Catalog Title:
2002 YZF-R1P/PC

Block No. B-8 Block Title: EXHAUST

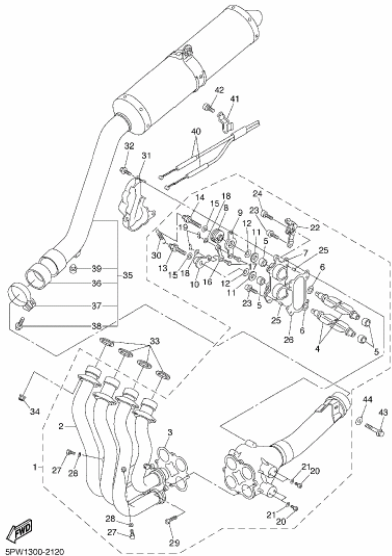


SPW1300-2120

Ref. No.	Part No.	Description
1	5PW-14610-00-00	UNAVAILABLE
2	5PW-14632-00-00	» UNAVAILABLE
3	5PW-14623-00-00	» UNAVAILABLE
4	5PW-14821-00-00	» UNAVAILABLE
5	5PW-14638-01-00	» UNAVAILABLE
6	90201-14014-00	» UNAVAILABLE
7	5PW-14811-01-00	» UNAVAILABLE
8	5PW-14825-00-00	» UNAVAILABLE
9	5PW-14899-00-00	» UNAVAILABLE
10	5PW-14858-00-00	» UNAVAILABLE
11	90201-10M76-00	» WASHER, PLATE
12	5PW-14683-00-00	» UNAVAILABLE
13	5PW-14694-00-00	» UNAVAILABLE
14	5PW-14777-00-00	» UNAVAILABLE
15	90201-050T4-00	» WASHER, PLATE
16	5PW-14836-00-00	» UNAVAILABLE
17	5PW-1469V-00-00	» UNAVAILABLE
18	90201-06431-00	» WASHER, PLATE
19	92410-06053-00	» CIRCLIP-S-TYPE
20	91380-04005-00	» Bolt
21	92990-04800-00	» WASHER
22	5PW-14867-00-00	» UNAVAILABLE
23	90119-06115-00	» BOLT, WITH WASHER
24	90110-06025-00	» BOLT, HEXAGON SOCK
25	93606-07M17-00	» PIN, DOWEL

Catalog Title:
2002 YZF-R1P/PC

Block No. B-8 Block Title: EXHAUST

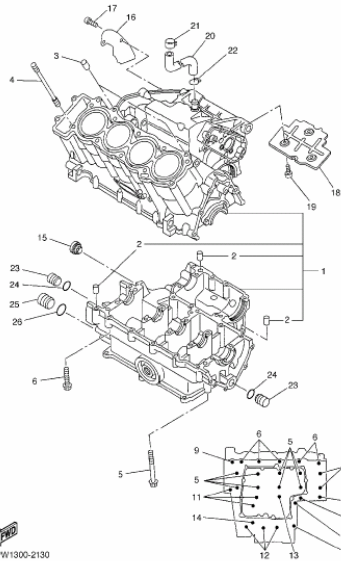


SPW1300-2120

Ref. No.	Part No.	Description
26	5PW-14643-00-00	* UNAVAILABLE
27	97080-06009-00	* BOLT
28	92990-06600-00	* WASHER
29	90110-06025-00	* BOLT, HEXAGON SOCK
30	90506-10003-00	* UNAVAILABLE
31	5PW-14826-00-00	UNAVAILABLE
32	97017-06010-00	BOLT (3JP)
33	4FM-14613-00-00	GASKET, EXST PIPE
34	90179-08410-00	90179-08655-00
35	5PW-14710-10-00	UNAVAILABLE
36	4XV-14714-00-00	* GASKET, MUFFLER
37	5JJ-14715-00-00	* BAND, MUFFLER
38	95817-08030-00	* BOLT, FLANGE
39	4FM-24181-00-00	* DAMPER, LOCATING 1
40	5PW-1130E-00-00	UNAVAILABLE
41	90462-10013-00	UNAVAILABLE
42	91314-06010-00	BOLT
43	95817-08040-00	BOLT, FLANGE
44	90201-08612-00	WASHER, PLATE

Catalog Title:
2002 YZF-R1P/PC

Block No. Block Title:
B-10 CRANKCASE

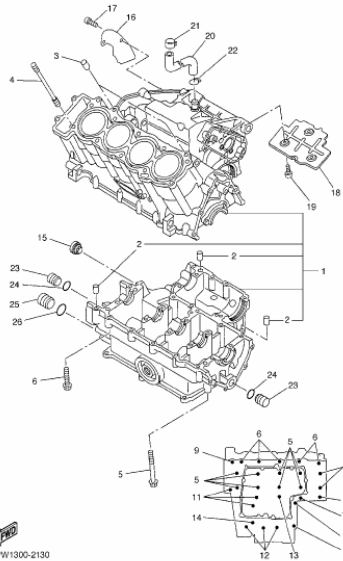


Ref. No.	Part No.	Description
1	5PW-15100-00-00	UNAVAILABLE
2	99330-10014-00	≠ PIN,DOWEL
3	99510-10114-00	PIN,DOWEL
4	90116-10819-00	BOLT, STUD
5	90119-09002-00	UNAVAILABLE
6	95817-06055-00	BOLT, FLANGE
7	90105-08015-00	BOLT, WASHER BASED
8	95817-06055-00	BOLT, FLANGE
9	90109-06533-00	BOLT
10	95817-06090-00	BOLT, FLANGE
11	95817-06070-00	BOLT, FLANGE
12	95817-06045-00	BOLT, FLANGE
13	95814-06050-00	BOLT, FLANGE
14	95817-06065-00	BOLT, FLANGE
15	5PW-15361-00-00	UNAVAILABLE
16	4XV-11165-00-00	PLATE, BREATHER
17	90110-06018-00	UNAVAILABLE
18	4XV-11145-00-00	PLATE, BREATHER 2
19	90110-06018-00	UNAVAILABLE
20	90445-16415-00	HOSE
21	90468-08104-00	CLIP
22	90467-14015-00	CLIP, SCISSOR
23	90338-16262-00	PLUG
24	93210-12790-00	O-RING
25	90338-20263-00	PLUG

5PW1300-2130

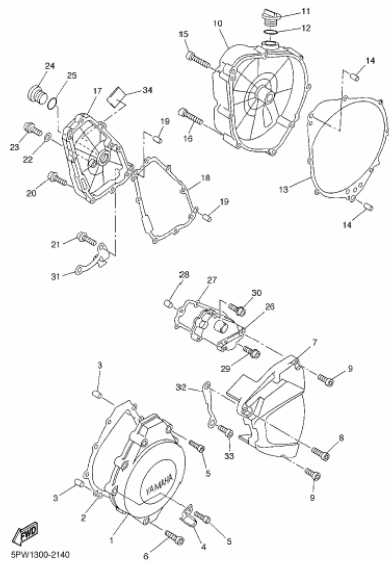
Catalog Title:
2002 YZF-R1P/PC

Block No.	Block Title:	Ref. No.	Part No.	Description
B-10	CRANKCASE	20	99210-16314-00	O-RING



Catalog Title:
2002 YZF-R1P/PC

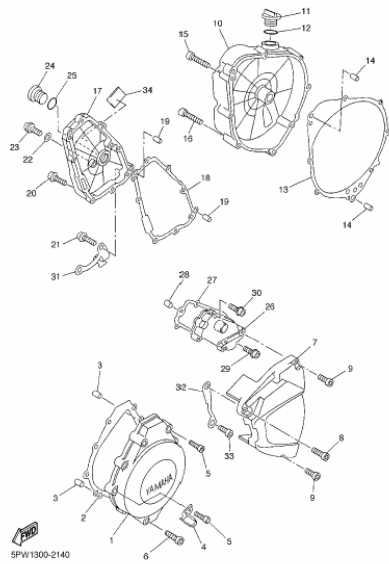
Block No. Block Title:
B-11 CRANKCASE COVER 1



Ref. No.	Part No.	Description
1	5PW-15411-00-00	UNAVAILABLE
2	5PW-15451-00-00	UNAVAILABLE
3	90530-08012-00	PIN, DOWEL
4	90461-10003-00	CLAMP
5	91314-06035-00	× BOLT, SOCKET HEAD
6	91314-06020-00	BOLT (3JB)
7	5PW-15418-00-00	UNAVAILABLE
8	90110-08139-00	BOLT, HEX SRT HEAD
9	91314-06025-00	BOLT (3DM)
10	5PW-15421-01-00	UNAVAILABLE
11	3F9-15362-00-00	PLUG, OIL LEVEL
12	93210-27778-00	O-RING
13	5PW-15461-00-00	UNAVAILABLE
14	93009-21002-00	UNAVAILABLE
15	91314-06040-00	BOLT, SOCKET
16	91314-06050-00	BOLT (3JF)
17	5PW-15416-00-00	UNAVAILABLE
18	5JJ-15456-00-00	GASKET, OIL PUMP C
19	90530-08012-00	PIN, DOWEL
20	90109-06014-00	BOLT
21	90109-06015-00	BOLT
22	90430-08143-00	GASKET
23	92014-08016-00	BOLT, BUTTON HEAD
24	90340-32080-00	PLUG, STRAIGHT SCRW
25	93210-32172-00	O-RING

Catalog Title:
2002 YZF-R1P/PC

Block No. Block Title:
B-11 CRANKCASE COVER 1



Ref. No.	Part No.	Description
20	5PW-15425-00-00	UNAVAILABLE
27	5JJ-15463-00-00	GASKET, CARBURETOR
28	90F90-08012-00	PIN, DOWEL
29	90109-06014-00	BOLT
30	90109-06015-00	BOLT
31	4XV-15441-00-00	HOLDER, CLUTCH CAB
32	4XV-15113-00-00	PLATE
33	91317-06020-00	BOLT (HFL)
34	5JW-2139X-00-00	UNAVAILABLE

5PW1300-2140

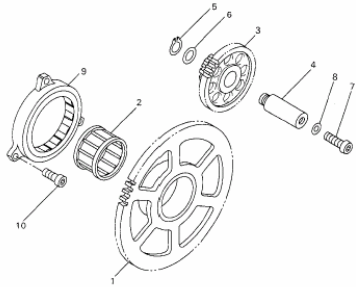
Catalog Title:
2002 YZF-R1P/PC

Yamaha

Block No.
C-1

Block Title:
STARTER

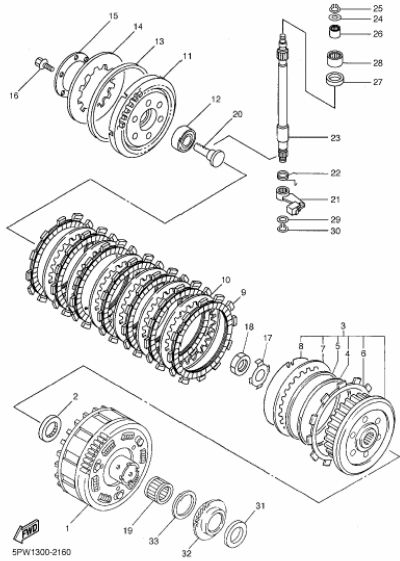
Ref. No.	Part No.	Description
1	5PW-15515-00-00	UNAVAILABLE
2	93310-33859-00	BEARING
3	5JJ-15517-00-00	GEAR, IDLER 2
4	4XV-15521-00-00	SHAFT 1
5	93410-08072-00	CIRCLIP,S-TYPE
6	92900-08600-00	WASHER
7	92017-06014-00	BOLT,BUTTON
8	90430-06014-00	GASKET
9	4XV-15570-00-00	STARTER CLUTCH ASS
10	90110-06065-00	UNAVAILABLE



 5J11300-0150

Catalog Title:
2002 YZF-R1P/PC

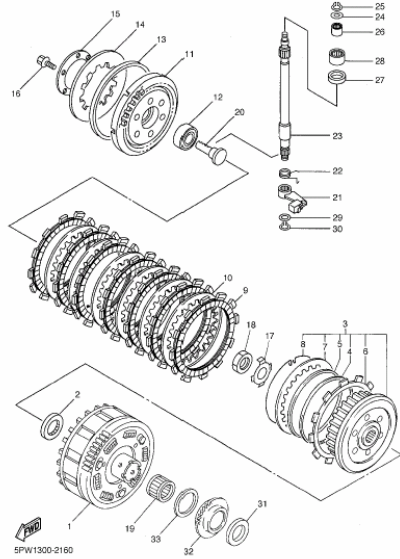
Block No. C-2 Block Title: CLUTCH



Ref. No.	Part No.	Description
1	5PW-16150-00-00	UNAVAILABLE
2	2B4-16154-00-00	PLATE, THRUST 1
3	4XV-16370-00-00	CLUTCH BOSS ASSY
4	4XV-16384-00-00	* PLATE, SEAT
5	36Y-16383-00-00	* SPRING, CLUTCH BOSS
6	4XV-16331-00-00	* PLATE, FRICTION 2
7	2H7-16325-00-00	* PLATE, CLUTCH 2
8	2H7-16385-00-00	* RING, CLUTCH BOSS
9	341-16321-13-00	PLATE, FRICTION
10	2H7-16325-00-00	PLATE, CLUTCH 2
11	4XV-16351-00-00	PLATE, PRESSURE 1
12	93306-00315-00	BEARING
13	36Y-16335-00-00	HOUSING, SPRING
14	36Y-16334-00-00	SPRING, CLUTCH 2
15	1TX-16352-00-00	PLATE, PRESSURE 2
16	95817-06025-00	BOLT, FLANGE
17	90215-23001-00	UNAVAILABLE
18	90179-20003-00	UNAVAILABLE
19	93310-22895-00	BEARING
20	4XV-16356-01-00	ROD, PUSH 1
21	4XV-16340-19-00	UNAVAILABLE
22	90305-16482-00	SPRING, TORSION
23	4XV-16382-00-00	AXLE, PUSH LEVER
24	92907-08600-00	WASHER (6TA)
25	96080-07600-00	CIRCLIP

Catalog Title:
2002 YZF-R1P/PC

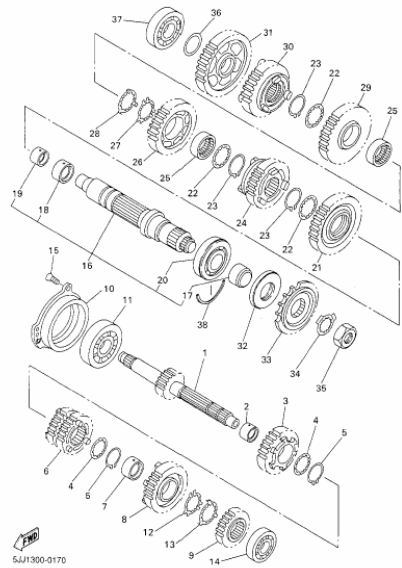
Block No. C-2 Block Title: CLUTCH



Ref. No.	Part No.	Description
20	93317-11020-00	BEARING,CYL,#17
27	93102-15212-00	OIL SEAL,SD-TYPE
28	93315-31502-00	BEARING,CYL,#15
29	90201-10814-00	WASHER,PLATE
30	99009-10400-00	CIRCLIP
31	4XV-16154-00-00	PLATE, THRUST 1
32	5PW-13354-01-00	UNAVAILABLE
33	90201-43005-00	UNAVAILABLE

Catalog Title:
2002 YZF-R1P/PC

Block No. Block Title:
C-4 TRANSMISSION

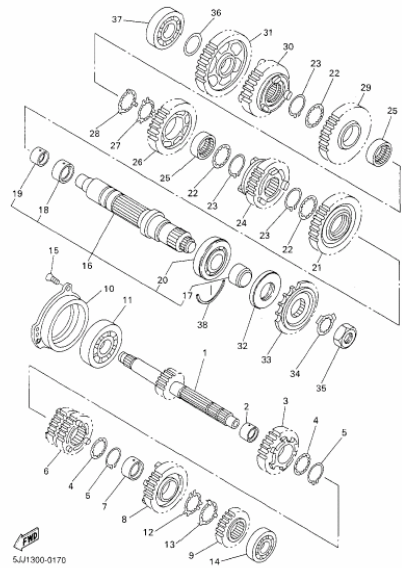


5JJ1300-0170

Ref. No.	Part No.	Description
1	5JJ-17411-01-00	UNAVAILABLE
2	90387-2811B-00	COLLAR
3	5JJ-17151-00-00	GEAR, 5TH PINION
4	90209-25342-00	WASHER
5	93440-28062-00	CIRCLIP, OUTER
6	5JJ-17131-00-00	GEAR, 3RD PINION
7	90387-2810U-00	COLLAR
8	5JJ-17461-00-00	GEAR, 5TH PINION
9	5JJ-17121-01-00	UNAVAILABLE
10	5JJ-15163-00-00	HOUSING, BEARING 1
11	93306-37807-00	BEARING
12	90209-25340-00	WASHER
13	90209-25350-00	WASHER
14	93306-27209-00	BEARING
15	90149-06126-00	SCREW, SPECTL SHAPE
16	5JJ-17402-00-00	DRIVE AXLE ASSY
17	5JJ-17158-00-00	» COLLAR 1
18	90387-3311C-00	» COLLAR
19	90387-2511A-00	» COLLAR
20	93306-20705-00	» BEARING
21	5JJ-17221-00-00	GEAR, 2ND WHEEL
22	90209-30344-00	WASHER
23	93440-32063-00	CIRCLIP, OUTER
24	5PW-17261-00-00	UNAVAILABLE
25	90387-3310V-00	COLLAR

Catalog Title:
2002 YZF-R1P/PC

Block No. Block Title:
C-4 TRANSMISSION



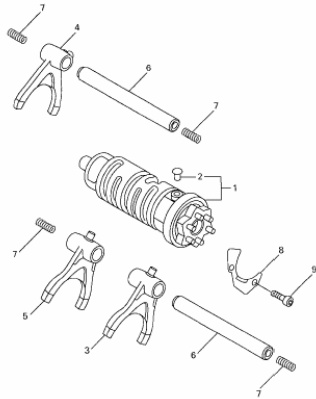
Ref. No.	Part No.	Description
20	5JJ-17241-00-00	GEAR, 4TH WHEEL
27	90209-30345-00	WASHER
28	90209-30343-00	WASHER
29	5JJ-17231-00-00	GEAR, 3RD WHEEL
30	5JJ-17251-10-00	UNAVAILABLE
31	5JJ-17211-00-00	GEAR, 1ST WHEEL
32	93102-45405-00	OIL SEAL
33	4XV-17460-00-00	SPROCKET, DRIVE
34	90215-26241-00	WASHER, LOCK
35	90179-22003-00	UNAVAILABLE
36	90201-22414-00	WASHER, PLATE
37	93306-37209-00	BEARING
38	93440-72049-00	CIRCLIP, OUTER

Catalog Title:
2002 YZF-R1P/PC

Yamaha

Block No. C-6 Block Title:
SHIFT CAM. FORK

Ref. No.	Part No.	Description
1	5PW-18540-00-00	UNAVAILABLE
2	1S5-18542-00-00	* POINT NEUTRAL
3	4XV-18511-00-00	FORK, SHIFT 1
4	5JJ-18512-00-00	FORK, SHIFT 2
5	5PW-18513-00-00	UNAVAILABLE
6	4XV-18531-00-00	BAR, SHIFT FORK GU
7	90501-964L1-00	SPRING, COMPRESSIO
8	4XV-18536-00-00	STOPPER, SHIFT BAR
9	91317-06012-00	BOLT (4MY)



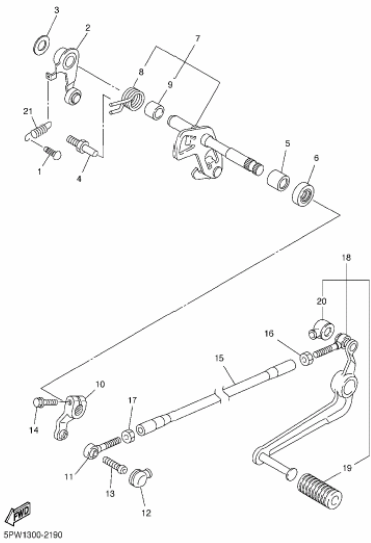
 4XV352-8170

Catalog Title:
2002 YZF-R1P/PC

Yamaha

Block No.
C-7

Block Title:
SHIFT SHAFT

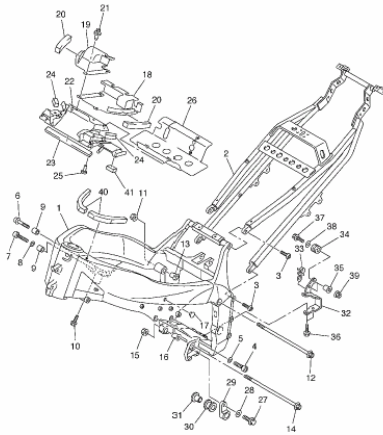


Ref. No.	Part No.	Description
1	132-18346-00-00	HOOK,SPRING
2	5JJ-18140-00-00	STOPPER LEVER ASSY
3	90201-120K4-00	WASHER,PLATE
4	4G0-18127-00-00	STOPPER,SCREW
5	93315-11206-00	BEARING,CYL#15
6	93102-12321-00	OIL SEAL,SD-TYPE
7	5PW-18101-00-00	UNAVAILABLE
8	90508-32682-00	* SPRING,TORSION
9	90387-1211D-00	* COLLAR
10	5PW-18112-00-00	UNAVAILABLE
11	5LV-18116-00-00	JOINT, ROD 1
12	4XV-18154-00-00	* COVER, DUST
13	90111-06019-00	BOLT
14	95324-06020-00	BOLT,FLANGE
15	5PW-18115-00-00	UNAVAILABLE
16	90170-06228-00	NUT,HEXAGON
17	9E38R-06700-00	NUT
18	5PW-18110-00-00	UNAVAILABLE
19	5EB-18113-00-00	* COVER, SHIFT PEDAL
20	4XV-18154-00-00	* COVER, DUST
21	90506-16005-00	UNAVAILABLE

Catalog Title:
2002 YZF-R1P/PC

Block No.
C-8

Block Title:
FRAME



Ref. No.	Part No.	Description
1	5PW-21110-00-00	UNAVAILABLE
2	5PW-21130-00-00	UNAVAILABLE
3	90149-10004-00	UNAVAILABLE
4	91314-10040-00	BOLT, SOCKET
5	90201-10020-00	UNAVAILABLE
6	91314-10050-00	BOLT
7	91314-10040-00	BOLT, SOCKET
8	90201-10020-00	UNAVAILABLE
9	90387-12012-00	UNAVAILABLE
10	95024-08035-00	BOLT, FLANGE (3EF)
11	90179-10696-00	NUT
12	90109-10465-00	BOLT
13	5EB-21495-00-00	BOLT, ENGINE ADJUS
14	90110-10005-00	UNAVAILABLE
15	90179-10696-00	NUT
16	5EB-21495-00-00	BOLT, ENGINE ADJUS
17	90338-15004-00	UNAVAILABLE
18	5PW-2117M-00-00	UNAVAILABLE
19	5PW-2117N-00-00	UNAVAILABLE
20	5PW-2155Z-00-00	UNAVAILABLE
21	90269-07076-00	RIVET, SPEC'L SHAPE
22	5PW-2137Y-00-00	UNAVAILABLE
23	5PW-21486-00-00	UNAVAILABLE
24	5PW-21488-00-00	UNAVAILABLE
25	90269-08002-00	UNAVAILABLE

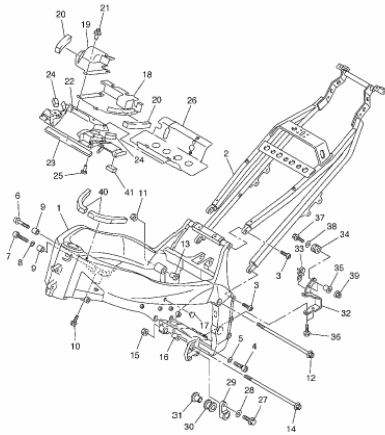
 SPW1300-2200

Catalog Title:
2002 YZF-R1P/PC

Block No.
C-8

Block Title:
FRAME

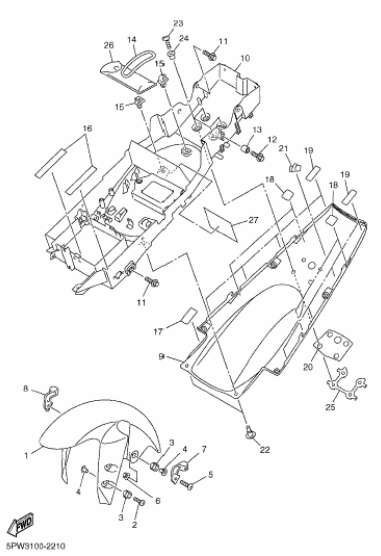
Ref. No.	Part No.	Description
20	5PW-2117F-00-00	UNAVAILABLE
27	95817-08025-00	BOLT,FLANGE(4LN)
28	90201-08326-00	WASHER,PLATE
29	5PW-21446-00-00	UNAVAILABLE
30	4XV-27424-00-00	DAMPER, FOOTREST 2
31	90387-08005-00	COLLAR
32	5PW-2116J-00-00	UNAVAILABLE
33	90464-08001-00	CLAMP
34	90480-14604-00	UNAVAILABLE
35	90387-06M60-00	COLLAR
36	95807-06014-00	90105-06154-00
37	95027-06025-00	90105-080A0-00
38	90201-06065-00	WASHER,PLATE
39	95707-06500-00	NUT,FLANGE (4MV)
40	3YF-2414J-10-00	UNAVAILABLE
41	4J2-21778-00-00	1WG-2143A-00-00



 SPW1300-2200

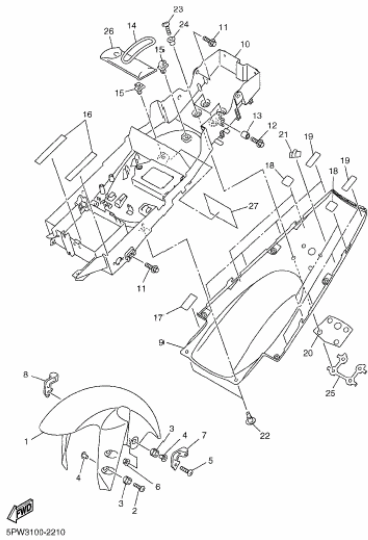
Catalog Title:
2002 YZF-R1P/PC

Block No. C-10
Block Title: FENDER



Ref. No.	Part No.	Description
1	5PW-21511-00-P1	UNAVAILABLE
1	5PW-21511-00-P0	UNAVAILABLE
1	5PW-21511-00-P2	UNAVAILABLE
2	90149-06302-00	SCREW,SPECL SHAPE
3	90480-12072-00	GRIMMET
4	90387-065J6-00	x COLLAR
5	90111-06030-00	UNAVAILABLE
6	95707-06500-00	NUT,FLANGE (4MM)
7	5PW-25875-00-00	UNAVAILABLE
8	5PW-25876-00-00	UNAVAILABLE
9	5PW-21611-00-P1	UNAVAILABLE
9	5PW-21611-00-P2	UNAVAILABLE
9	5PW-21611-00-P0	UNAVAILABLE
10	5PW-82128-00-00	UNAVAILABLE
11	90109-063F1-00	BOLT
12	90119-06119-00	BOLT, WITH WASHER
13	90387-08057-00	COLLAR
14	4XV-21376-00-00	BAND, TOOL
15	90464-07299-00	CLAMP
16	1AE-2834E-00-00	DAMPER (LH)
17	5PX-21268-00-00	SEAL
18	1UF-10579-00-00	SEAL, CRANKCASE
19	5PW-21732-00-00	UNAVAILABLE
20	5PW-21669-00-00	UNAVAILABLE
21	90465-04020-00	UNAVAILABLE

Catalog Title:
2002 YZF-R1P/PC



Block No.	Block Title	Ref. No.	Part No.	Description
C-10	FENDER			
22		90269-07077-00		RIVET
23		92317-06323-00		SOFT BUTTON
24		90387-06500-00	90387-07391-00	UNAVAILABLE
25		5PW-2161G-00-00		UNAVAILABLE
26		5PW-28100-00-00		UNAVAILABLE
27		5PW-2179V-00-00		UNAVAILABLE
27		5PW-2179R-00-00		UNAVAILABLE

Yamaha

for 45 days

Online List Setup

Friends (6/22)

- Egkossob
- Surfonium
- AzNhyTOy
- binlybanana**
- mazdaman92
- GrahmMP

▼ **Family (1/5)**

- CabySexy

▼ **Prof (0/4)**

▼ **Co-Workers (2/5)**

- Limotey
- Burpeeee

▼ **me (1/4)**

- JoshuaMPerk

▼ **Offline (30/40)**

- Angi21
- blucqpy9

Today

Find: Screen Savers

5 +13.56 INDEX:INX

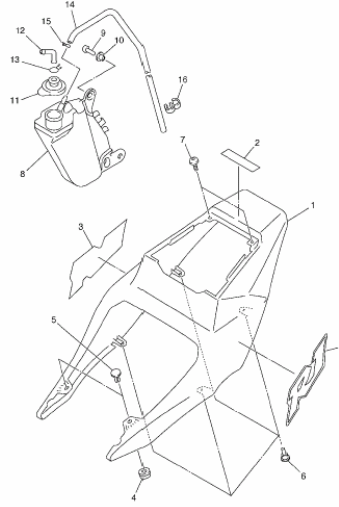
Prices delayed at least 15 minut

Catalog Title:
2002 YZF-R1P/PC

Block No.
C-12

Block Title:
SIDE COVER

Yamaha

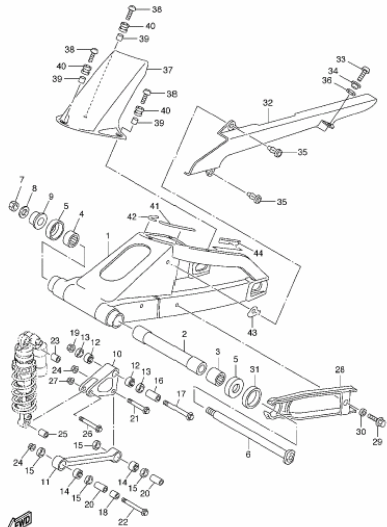


Ref. No.	Part No.	Description
1	5PW-21711-00-P1	UNAVAILABLE
1	5PW-21711-00-P0	UNAVAILABLE
1	5PW-21711-00-P2	UNAVAILABLE
2	99247-00080-00	EMBLEM, YAMAHA
2	99241-00080-00	EMBLEM, YAMAHA
3	5PW-21737-00-00	UNAVAILABLE
4	5PW-2174X-00-00	UNAVAILABLE
5	90269-07075-00	RIVET, SPECT. SHAPE
6	90269-07077-00	RIVET
7	90150-05039-00	SCREW, ROUND HEAD
8	5PW-21871-00-00	UNAVAILABLE
9	92017-06012-00	SCREW(3GG)
10	90387-062M9-00	COLLAR
11	5EB-21875-00-00	CAP
12	26H-21828-00-00	ELBOW
13	90467-11019-00	90467-11M08-00
14	90445-081H0-00	UNAVAILABLE
15	90467-08003-00	CLIP, SCISSOR
16	90464-10075-00	CLAMP

5PW1300-2220

Catalog Title:
2002 YZF-R1P/PC

Block No. Block Title:
D-1 REAR ARM

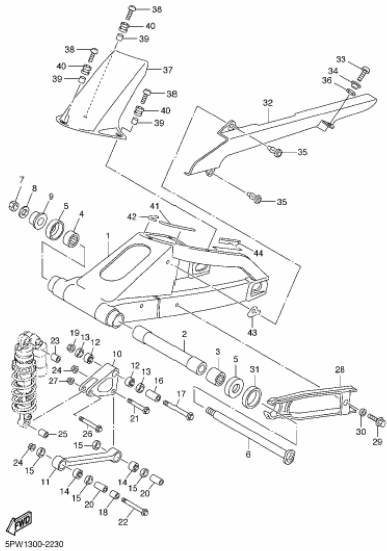


SPW1300-2230

Ref. No.	Part No.	Description
1	5PW-22110-00-00	UNAVAILABLE
2	4XV-22194-00-00	BUSH
3	93315-42523-00	BEARING,CYL#15
4	93315-42526-00	BEARING,CYL#15
5	5JJ-22128-00-00	COVER, THRUST 1
6	4FN-22141-00-00	PIVOT
7	90185-18167-00	NUT,SELF-LOCKING
8	90201-18013-00	UNAVAILABLE
9	5PW-22125-00-00	UNAVAILABLE
10	4XV-2217A-00-00	ARM, RELAY
11	5PW-2217M-00-00	UNAVAILABLE
12	93315-31758-00	BEARING
13	93109-17071-00	OIL SEAL
14	93315-31759-00	BEARING
15	93109-17071-00	OIL SEAL
16	90387-1012B-00	COLLAR
17	90105-10021-00	BOLT, WASHER BASED
18	90387-1013U-00	COLLAR
19	95607-10200-00	NUT,SELF-LOCKING
20	90387-1012A-00	COLLAR
21	90105-10017-00	BOLT, WASHER BASED
22	90105-10018-00	BOLT, WASHER BASED
23	90387-1013U-00	COLLAR
24	95607-10200-00	NUT,SELF-LOCKING
25	90387-1012A-00	COLLAR

Catalog Title:
2002 YZF-R1P/PC

Block No. Block Title:
D-1 REAR ARM



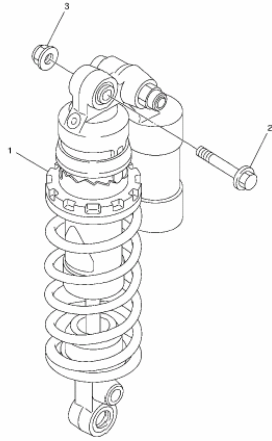
Ref. No.	Part No.	Description
26	90105-10017-00	BOLT, WASHER BASED
27	95607-10200-00	NUT, SELF-LOCKING
28	5PW-22151-00-00	UNAVAILABLE
29	90119-06063-00	BOLT, WITH WASHER
30	90387-06022-00	COLLAR
31	5JJ-2214F-00-00	DAMPER 1
32	5PW-22311-00-00	UNAVAILABLE
33	90149-06302-00	SCREW, SPEC'L SHAPE
34	90387-0603J-00	COLLAR
35	90269-08002-00	UNAVAILABLE
36	5PW-26372-00-00	UNAVAILABLE
37	5PW-21650-00-P2	UNAVAILABLE
37	5PW-21650-00-P0	UNAVAILABLE
37	5PW-21650-00-P1	UNAVAILABLE
38	90149-06302-00	SCREW, SPEC'L SHAPE
39	90387-0600V-00	COLLAR
40	90480-12005-00	GROMMET
41	5PW-22873-00-00	UNAVAILABLE
42	5PW-22874-00-00	UNAVAILABLE
43	5PW-22875-00-00	UNAVAILABLE
44	5PW-22876-00-00	UNAVAILABLE

Catalog Title:
2002 YZF-R1P/PC

Block No. Block Title:
D-3 REAR SUSPENSION

Yamaha

Ref. No.	Part No.	Description
1	5PW-22210-10-00	UNAVAILABLE
2	90105-10020-00	BOLT, WASHER BASED
3	95607-10200-00	NUT, SELF-LOCKING



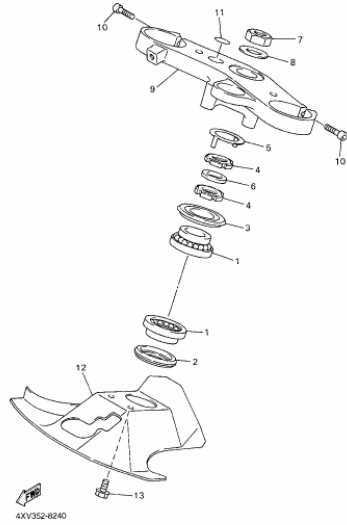

5PW1300-2240

Catalog Title:
2002 YZF-R1P/PC

Yamaha

Block No.
D-4

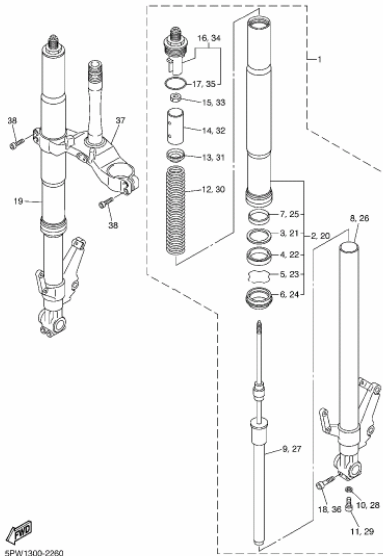
Block Title:
STEERING



Ref. No.	Part No.	Description
1	92399-09032-00	BEARING, SPECIAL
2	3FV-23462-00-00	SEAL, STEERING
3	4XV-23415-01-00	COVER, BALL RACE 1
4	90179-30691-00	NUT
5	4XV-23418-00-00	WASHER, SPECIAL
6	90202-30235-00	WASHER, PLATE
7	90170-28419-00	NUT
8	90201-28118-00	WASHER, PLATE
9	5PW-23435-00-00	UNAVAILABLE
10	91314-08030-00	BOLT (3BM)
11	4XV-23416-00-00	EMBLEM
12	5PW-23818-00-00	UNAVAILABLE
13	90119-06114-00	BOLT, WITH WASHER

Catalog Title:
2002 YZF-R1P/PC

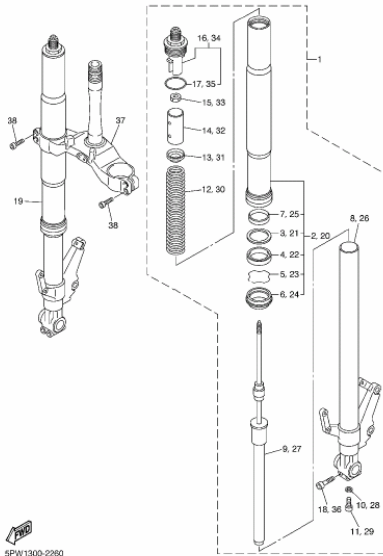
Block No. Block Title:
D-5 FRONT FORK



Ref. No.	Part No.	Description
1	5PW-23102-00-00	UNAVAILABLE
1	5PW-23102-10-00	UNAVAILABLE
2	5PW-23136-00-00	» UNAVAILABLE
2	5PW-23136-10-00	» UNAVAILABLE
3	5PW-23146-00-00	» UNAVAILABLE
4	5PW-23145-00-00	» UNAVAILABLE
5	4V4-23153-L0-00	» RING SNAP
6	4PU-23144-00-00	» SEAL, DUST
7	5PW-23125-00-00	» UNAVAILABLE
8	5PW-23110-00-00	» UNAVAILABLE
9	5PW-23170-00-00	» UNAVAILABLE
10	2K8-23158-L0-00	» GASKET
11	3LC-23181-00-00	» BOLT, HEX SOCKET HEAD
12	5PW-23141-00-00	» UNAVAILABLE
13	4XV-23142-00-00	» SEAT, SPRING UPPER
14	5PW-23119-00-00	» UNAVAILABLE
15	3XJ-23357-L0-00	» NUT
16	5PW-23111-00-00	» UNAVAILABLE
17	3XJ-23147-L0-00	» O-RING
18	91314-08040-00	» BOLT (3LP)
19	5PW-23103-00-00	UNAVAILABLE
19	5PW-23103-10-00	UNAVAILABLE
20	5PW-23136-00-00	» UNAVAILABLE
20	5PW-23136-10-00	» UNAVAILABLE
21	5PW-23146-00-00	» UNAVAILABLE

Catalog Title:
2002 YZF-R1P/PC

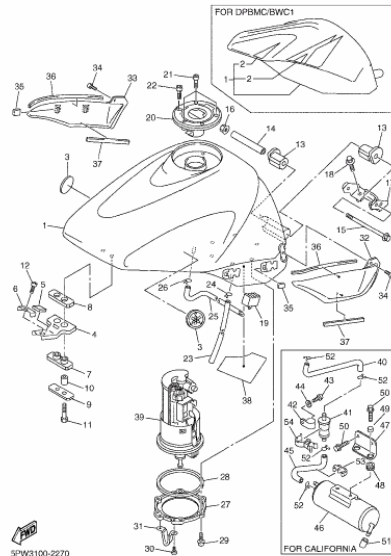
Block No. Block Title:
D-5 FRONT FORK



Ref. No.	Part No.	Description
22	5PW-23145-00-00	» UNAVAILABLE
23	4I4-23153L-0-00	» RING SNAP
24	4PU-23144-00-00	» SEAL, DUST
25	5PW-23125-00-00	» UNAVAILABLE
26	5PW-23120-00-00	» UNAVAILABLE
27	5PW-23170-00-00	» UNAVAILABLE
28	2K8-23188L-0-00	» GASKET
29	3LC-23181-00-00	» BOLT, HEX SOCKET HEAD
30	5PW-23141-00-00	» UNAVAILABLE
31	4XV-23142-00-00	» SEAT, SPRING UPPER
32	5PW-23118-00-00	» UNAVAILABLE
33	3XJ-23357-L0-00	» NUT
34	5PW-23111-00-00	» UNAVAILABLE
35	3XJ-23147-L0-00	» O-RING
36	91314-08040-00	» BOLT (JJP)
37	5PW-23340-00-00	UNAVAILABLE
38	91314-08030-00	BOLT (BEM)

Catalog Title:
2002 YZF-R1P/PC

Block No. Block Title:
D-7 FUEL TANK

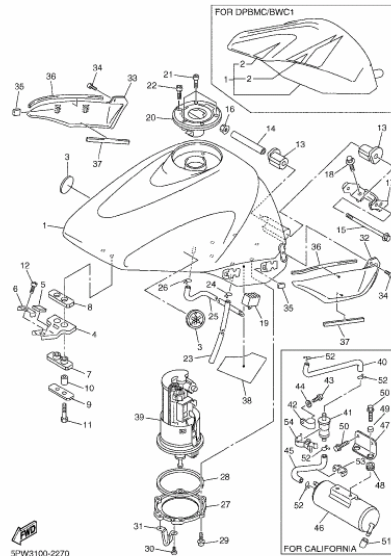


Ref. No.	Part No.	Description
1	5PW-Y2410-30-01	UNAVAILABLE
1	5PW-YK241-30-PO	UNAVAILABLE
2	5PW-24240-00-00	UNAVAILABLE
3	5PW-24138-00-00	UNAVAILABLE
4	5PW-24191-00-00	UNAVAILABLE
5	1AE-2837J-00-00	DAMPER 5
6	5JJ-24188-00-00	WASHER, SPECIAL
7	2GH-24181-00-00	DAMPER LOCATING 1
8	2GH-24183-00-00	DAMPER LOCATING 3
9	5JJ-24187-00-00	WASHER, SPECIAL
10	90387-06000-00	COLLAR
11	90119-06193-00	BOLT, WITH WASHER
12	91314-06016-00	BOLT, SOCKET
13	4YR-24181-00-00	DAMPER, LOCATING 1
14	90387-06007-00	COLLAR
15	95817-06110-00	BOLT, FLANGE
16	95607-06200-00	NUT, SELF-LOCKING
17	5PW-24131-00-00	UNAVAILABLE
18	97017-06016-00	BOLT, HEXAGON
19	4XV-24183-00-00	DAMPER, LOCATING 3
20	5JJ-24002-00-00	CAP ASSY
21	90110-05112-00	BOLT, HEX SKT HEAD
22	91317-05010-00	BOLT, SOCKET
23	90445-11M78-00	HOSE

5PW2100-2270

Catalog Title:
2002 YZF-R1P/PC

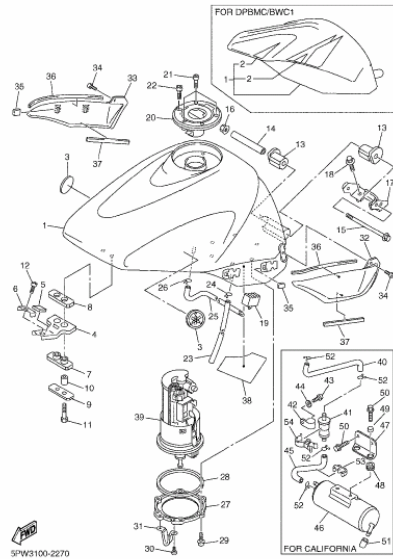
Block No. Block Title:
D-7 FUEL TANK



Ref. No.	Part No.	Description
24	90467-09006-00	CLIP,SCISSOR
25	5PW-24312-00-00	UNAVAILABLE
26	90467-09006-00	CLIP,SCISSOR
27	5PW-24491-00-00	UNAVAILABLE
28	5JW-24486-00-00	UNAVAILABLE
29	90110-05014-00	UNAVAILABLE
30	99907-05008-00	SCREW BIND
31	5PW-24192-00-00	UNAVAILABLE
32	5PW-24129-00-00	UNAVAILABLE
33	5PW-24139-00-00	UNAVAILABLE
34	90154-05074-00	UNAVAILABLE
35	5PW-2411J-00-00	UNAVAILABLE
36	5PW-2414H-00-00	UNAVAILABLE
37	5PW-2414J-00-00	UNAVAILABLE
38	5PW-24141-00-00	UNAVAILABLE
39	5PW-13907-00-00	UNAVAILABLE
40	5PW-24313-00-00	UNAVAILABLE
41	5PX-24180-00-00	ROLL OVER VALVE AS
42	90461-15199-00	CLAMP
43	98517-05012-00	SCREW PANHEAD
44	92907-05600-00	WASHER (1 RW)
45	5PW-24514-00-00	UNAVAILABLE
46	5PW-24170-00-00	UNAVAILABLE
47	5PW-2419F-00-00	UNAVAILABLE
48	90480-13163-00	GRCMMET

Catalog Title:
2002 YZF-R1P/PC

Block No. Block Title:
D-7 FUEL TANK



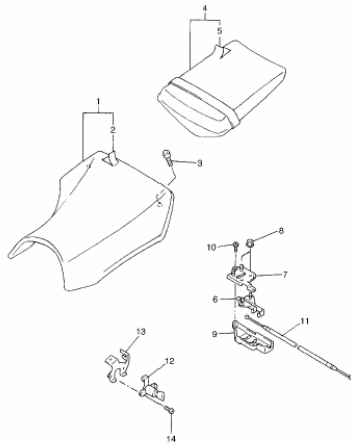
Ref. No.	Part No.	Description
49	90387-062L2-00	COLLAR
50	90105-06695-00	BOLT,WASHER BASED
51	90445-112E0-00	HOSE
52	90467-09006-00	CLIP,SCISSOR
53	90464-09M31-00	CLAMP
54	90464-20004-00	UNAVAILABLE

Catalog Title:
2002 YZF-R1P/PC

Yamaha

Block No.
D-9

Block Title:
SEAT



Ref. No.	Part No.	Description
1	5PW-24710-00-00	UNAVAILABLE
2	5PW-24709-00-00	* UNAVAILABLE
3	90110-06258-00	BOLT, HEXAGON SOCK
4	5PW-24750-00-00	UNAVAILABLE
5	5PW-24751-00-00	* UNAVAILABLE
6	4BP-24780-00-00	SEAT LOCK ASSY
7	5JJ-24792-01-00	UNAVAILABLE
8	95707-06500-00	NUT, FLANGE (4MV)
9	5JJ-2475X-01-00	COVER,2
10	90167-05016-00	SCREW, TAPPING
11	5JJ-2478E-00-00	WIRE, SEAT HOOK
12	3CK-W2470-00-00	SEAT LOCK ASSY
13	5PW-2117K-00-00	UNAVAILABLE
14	90149-06308-00	SCREW, SPEC'L SHAPE

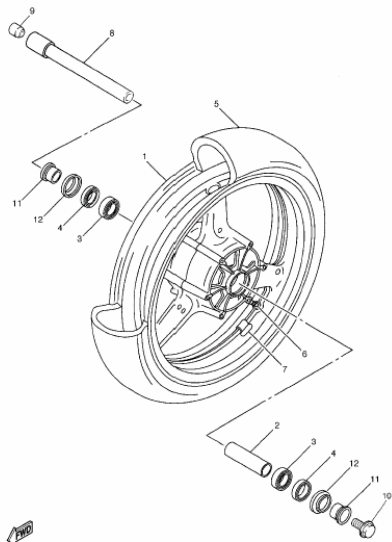
5PW1300-2280

Catalog Title:
2002 YZF-R1P/PC

Yamaha

Block No.
D-10

Block Title:
FRONT WHEEL



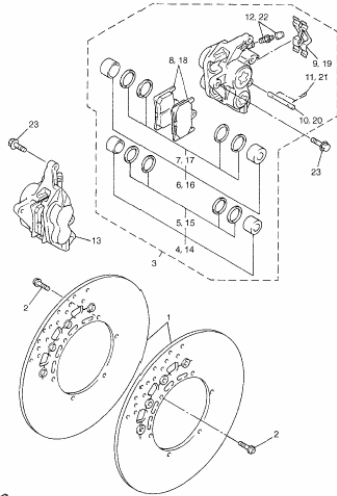
Ref. No.	Part No.	Description
1	5PW-25168-00-33	UNAVAILABLE
2	4XV-25117-00-00	SPACER, BEARING
3	93306-00420-00	BEARING
4	93106-28043-00	OIL SEAL
5	94112-17054-00	UNAVAILABLE
6	93900-00030-00	VALVE RIM
7	5MT-25398-00-00	BALANCER, WHEEL
7	5MT-25398-10-00	BALANCER, WHEEL
7	5MT-25398-20-00	BALANCER, WHEEL
8	5PW-25181-00-00	UNAVAILABLE
9	5PW-25188-00-00	UNAVAILABLE
10	90105-14002-00	UNAVAILABLE
11	4XV-25186-00-00	COLLAR, WHEEL
12	4XV-25118-00-00	COVER, HUB DUST

5PW1300-2290

Catalog Title:
2002 YZF-R1P/PC

Yamaha

Block No. D-11 Block Title:
FRONT BRAKE CALIPER

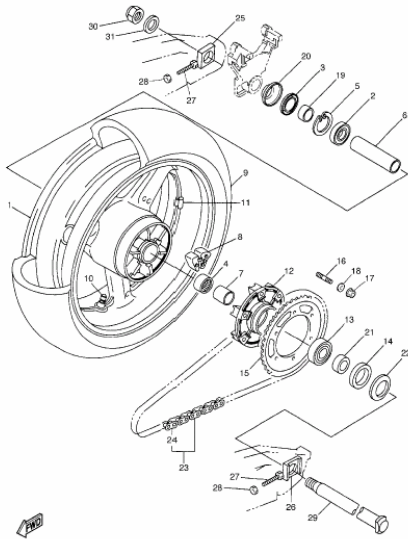


Yamaha
6PW1300-2300

Ref. No.	Part No.	Description
1	5JJ-2561T-10-00	DISC BRAKE ASSY
2	90109-0642E-00	BOLT
3	5PW-2560T-00-00	UNAVAILABLE
4	5PW-W0057-00-00	» UNAVAILABLE
5	5PW-W0047-00-00	» UNAVAILABLE
6	5PW-W0057-10-00	» UNAVAILABLE
7	5PW-W0047-10-00	» UNAVAILABLE
8	5PW-W0045-00-00	» UNAVAILABLE
9	4SV-25919-00-00	» SUPPORT_PAD
10	4SV-25924-00-00	» PIN_PAD
11	3GM-25925-00-00	» CLIP_PIN_PAD
12	1J3-W0048-00-00	» BLEED SCREW KIT
13	5PW-2580L-00-00	UNAVAILABLE
14	5PW-W0057-00-00	» UNAVAILABLE
15	5PW-W0047-00-00	» UNAVAILABLE
16	5PW-W0057-10-00	» UNAVAILABLE
17	5PW-W0047-10-00	» UNAVAILABLE
18	5PW-W0045-00-00	» UNAVAILABLE
19	4SV-25919-00-00	» SUPPORT_PAD
20	4SV-25924-00-00	» PIN_PAD
21	3GM-25925-00-00	» CLIP_PIN_PAD
22	1J3-W0048-00-00	» BLEED SCREW KIT
23	90105-10547-00	BOLT, WASHER BASED

Catalog Title:
2002 YZF-R1P/PC

Block No. Block Title:
D-12 REAR WHEEL

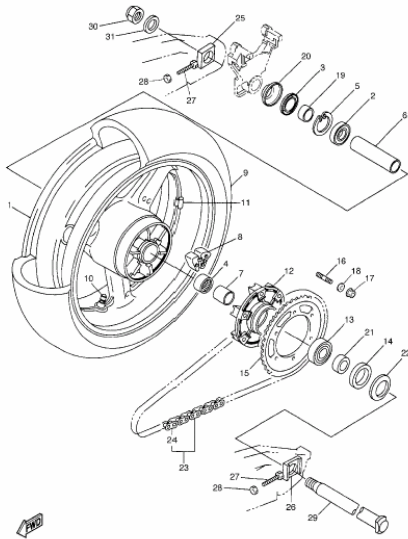


Ref. No.	Part No.	Description
1	5PW-25338-01-33	UNAVAILABLE
2	93300-20331-00	BEARING
3	93106-40013-00	OIL SEAL
4	93317-43580-00	BEARING
5	99420-61M07-00	CIRCLIP-R-TYPE
6	5PW-25317-00-00	UNAVAILABLE
7	4XV-25383-00-00	COLLAR, WHEEL
8	5PW-25364-00-00	UNAVAILABLE
9	94119-17019-00	UNAVAILABLE
10	93900-00030-00	VALVE RIM
11	5MT-25398-00-00	BALANCER, WHEEL
11	5MT-25398-10-00	BALANCER, WHEEL
11	5MT-25398-20-00	BALANCER, WHEEL
12	5PW-25366-00-00	UNAVAILABLE
13	93300-20531-00	BEARING
14	93106-40013-00	OIL SEAL
15	4XV-25443-21-00	UNAVAILABLE
16	90116-10485-00	BOLT, STUD
17	90185-10009-00	UNAVAILABLE
18	90201-10021-00	UNAVAILABLE
19	5PW-25377-00-00	UNAVAILABLE
20	5PW-25367-00-00	UNAVAILABLE
21	4XV-25376-00-00	COLLAR, WHEEL
22	5JJ-25367-00-00	COVER, HUB DUST
23	9Y982-05113-00	UNAVAILABLE

PWS
5PW1300-2310

Catalog Title:
2002 YZF-R1P/PC

Block No. Block Title:
D-12 REAR WHEEL



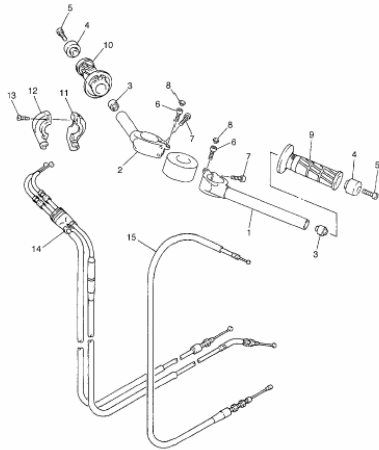
Ref. No.	Part No.	Description
24	94082-05031-00	* UNAVAILABLE
25	4XV-25389-00-00	PULLER, CHAIN 1
26	4XV-25389-00-00	PULLER, CHAIN 2
27	90101-08777-00	BOLT(4SR)
28	95337-08600-00	NUT(6TA)
29	4XV-25381-00-00	AXLE, WHEEL
30	90185-24165-00	NUT, SELF-LOCKING
31	90201-25785-00	WASHER, PLATE

Catalog Title:
2002 YZF-R1P/PC

Yamaha

Block No. Block Title:
E-3 STEERING HANDLE_CABLE

Ref. No.	Part No.	Description
1	5PW-26121-00-00	UNAVAILABLE
2	5PW-26122-00-00	UNAVAILABLE
3	4XV-23434-00-00	HOLDER, DAMPER
4	5PW-26246-00-00	UNAVAILABLE
5	91317-06025-00	BOLT (4MY)
6	91317-06025-00	BOLT (4MY)
7	91314-06025-00	BOLT (3DM)
8	2HD-23469-00-00	CAP,BOLT
9	4YR-26241-01-00	GRIP LH
10	4YR-26240-01-00	GRIP ASSY
11	3XW-26281-01-00	CAP,GRIP UPPER
12	3XW-26282-01-00	CAP,GRIP LOWER
13	91317-05035-00	UNAVAILABLE
14	5PW-26302-00-00	UNAVAILABLE
15	5PW-26335-00-00	UNAVAILABLE

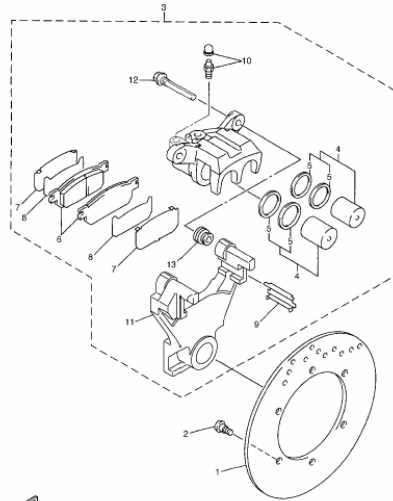


5PW1300-2830

Catalog Title:
2002 YZF-R1P/PC

Yamaha

Block No. Block Title:
E-2 REAR BRAKE CALIPER

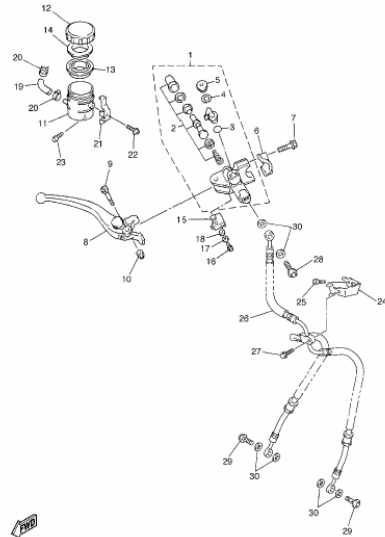


Ref. No.	Part No.	Description
1	5EB-2582W-00-00	DISC, REAR BRAKE 2
2	90109-0543E-00	BOLT
3	5PW-2580W-00-00	UNAVAILABLE
4	4JG-W0057-00-00	» PISTON ASSY, CALIP
5	4JG-W0047-00-00	» CALIPER SEAL KIT
6	5PW-W0046-50-00	» UNAVAILABLE
7	5GM-2582S-00-00	» UNAVAILABLE
8	5EB-2582S-00-00	» SHIM, CALIPER
9	4TT-25919-00-00	» SUPPORT_PAD
10	51L-W0048-00-00	» BLEED SCREW KIT
11	5PW-25921-00-00	» UNAVAILABLE
12	5PW-25914-00-00	» UNAVAILABLE
13	4TT-25937-00-00	» BOOT 2


5PW1300-2320

Catalog Title:
2002 YZF-R1P/PC

Block No. Block Title:
E-4 FRONT MASTER CYLINDER



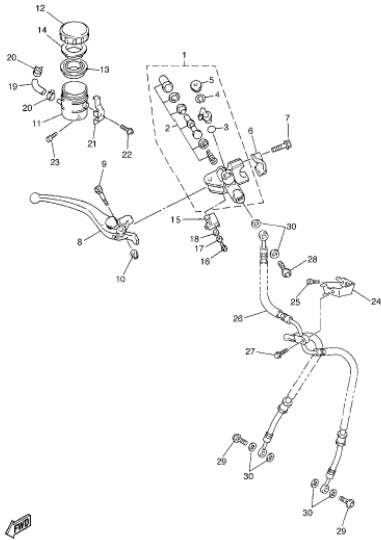
Ref. No.	Part No.	Description
1	4SV-W2587-10-00	MASTER CYLINDER 8U
2	4SV-W0041-00-00	* CYLINDER KIT, MAST
3	93210-15566-00	* O-RING
4	2VN-25866-00-00	* CIRCLIP
5	3FV-2589A-00-00	* COVER, DUST
6	56A-25867-00-00	BRACKET, MASTER CYLIN
7	91317-06020-00	BOLT (4FU)
8	5PW-83922-00-00	UNAVAILABLE
9	3FV-2589F-00-00	BOLT, LEVER
10	95617-06100-00	NUT, U
11	3FV-25894-00-00	TANK, RESERVOIR
12	3GM-25852-50-00	CAP, RESERVOIR
13	3FV-25854-00-00	DIAPHRAGM, RESERVOIR
14	2J2-25855-50-00	BUSH, DIAPHRAGM
15	4HM-83980-00-00	FRONT STOP SWITCH
16	98517-04012-00	SCREW, PANHEAD
17	92900-04100-00	WASHER, SPRING
18	92900-04600-00	WASHER
19	5PW-2582F-00-00	UNAVAILABLE
20	3PA-24556-00-00	CLIP, PIPE 1
21	3FV-2589G-00-00	HOLDER
22	3GM-2589H-00-00	SCREW, WASHASHER
23	91317-06012-00	BOLT (4MY)
24	5PW-25887-00-00	UNAVAILABLE
25	91317-06012-00	BOLT (4MY)

5PW1300-2340

Catalog Title:
2002 YZF-R1P/PC

Block No. Block Title:
E-4 FRONT MASTER CYLINDER

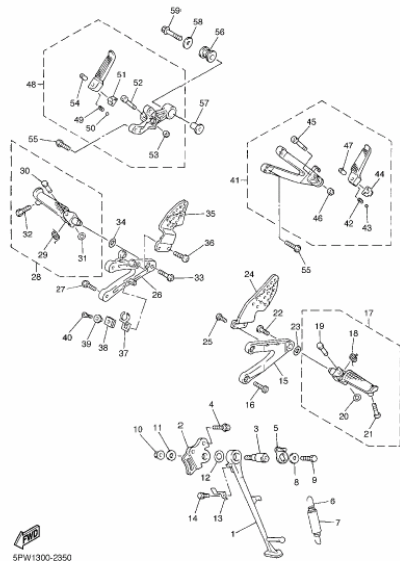
Ref. No.	Part No.	Description
20	5PW-25872-00-00	UNAVAILABLE
27	95327-06320-00	BOLT, FLANGE (6U1)
28	90401-10172-00	BOLT, UNION
29	90401-10172-00	BOLT, UNION
30	90201-10118-00	WASHER, PLATE



5PW1300-2340

Catalog Title:
2002 YZF-R1P/PC

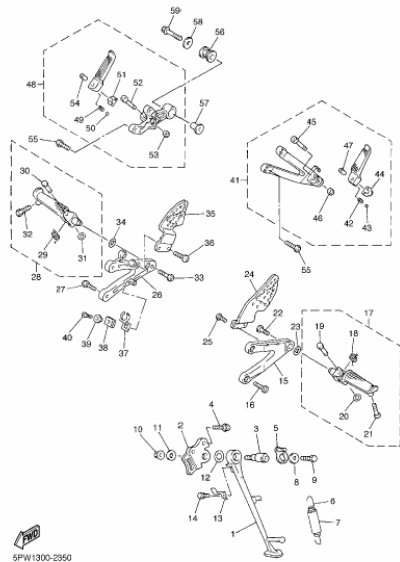
Block No. Block Title:
E-6 STAND, FOOTREST



Ref. No.	Part No.	Description
1	5PW-27311-00-00	UNAVAILABLE
2	5JJ-27321-00-00	BRACKET, SIDE STAN
3	4NX-27351-00-00	GUIDE, SIDE STAND
4	90109-10002-00	BOLT
5	5PW-27352-00-00	UNAVAILABLE
6	90506-18003-00	SPRING, TENSION
7	90445-19002-00	HOSE
8	90201-08193-00	WASHER, PLATE BAT
9	97017-08020-00	BOLT, HEXAGON
10	95607-10200-00	NUT, SELF-LOCKING
11	90201-101J1-00	WASHER, PLATE
12	90201-146F9-00	WASHER, PLATE
13	5JJ-27315-00-00	LINK, SIDE STAND
14	91317-06012-00	BOLT (4MM)
15	5PW-27442-00-00	UNAVAILABLE
16	90109-085G6-00	BOLT
17	5JJ-27410-01-00	FRONT FOOTREST ASS
18	90506-18134-00	* SPRING, TORSION
19	90243-06023-00	* PIN
20	90201-06042-00	* WASHER, PLATE
21	90109-083E0-00	* BOLT
22	90110-08220-00	92017-08030-00
23	90201-13008-00	WASHER, PLATE
24	5JJ-27445-00-00	PLATE 1
25	92017-06012-00	SCREW(3GG)

Catalog Title:
2002 YZF-R1P/PC

Block No. Block Title:
E-6 STAND, FOOTREST



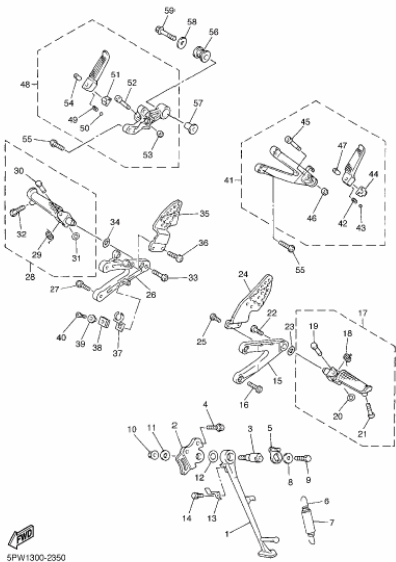
SPW1300-2350

Ref. No.	Part No.	Description
26	5PW-27443-00-00	UNAVAILABLE
27	90109-0836E-00	BOLT
28	5JJ-27420-01-00	FRONT FOOTREST ASS R
29	90508-18135-00	* SPRING, TORSION
30	90243-08029-00	* PIN
31	90201-06042-00	* WASHER, PLATE
32	90109-0836D-00	* BOLT
33	90110-0822D-00	92017-08030-00
34	90201-13008-00	WASHER, PLATE
35	5JJ-27446-00-00	PLATE 2
36	92017-06012-00	SCREW(3GG)
37	5EB-2144G-00-00	STAY, STOP SWITCH
38	90480-12007-00	GRGMMET
39	90387-06023-00	COLLAR
40	98507-06016-00	SCREW,PAN HEAD
41	5JJ-27430-00-00	REAR FOOTREST ASSY
42	90501-12743-00	* SPRING, COMPRESSION
43	93501-04011-00	* BALL 1/4
44	5JJ-27437-00-00	* WASHER, SPECIAL
45	91314-06035-00	* BOLT, SOCKET HEAD
46	95604-06200-00	* NUT-UJ
47	90387-06097-00	* COLLAR
48	5PW-27440-00-00	UNAVAILABLE
49	90501-12743-00	* SPRING, COMPRESSION
50	93501-04011-00	* BALL 1/4

Catalog Title:
2002 YZF-R1P/PC

Block No. Block Title:
E-6 STAND, FOOTREST

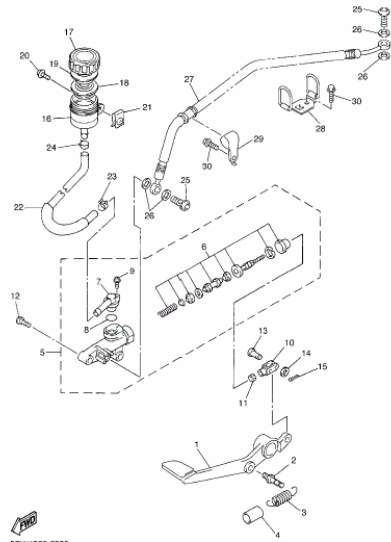
Ref. No.	Part No.	Description
51	5JJ-27437-00-00	» WASHER, SPECIAL
52	91314-06035-00	» BOLT, SOCKET HEAD
53	95604-06200-00	» NUT, U
54	90387-06697-00	» COLLAR
55	90109-08566-00	BOLT
56	36Y-27424-00-00	DAMPER, FOOTREST 2
57	90387-10001-00	COLLAR
58	90201-10669-00	WASHER, PLATE
59	90105-10022-00	BOLT, WASHER BASED



SPW1300-2350

Catalog Title:
2002 YZF-R1P/PC

Block No. Block Title:
E-9 REAR MASTER CYLINDER

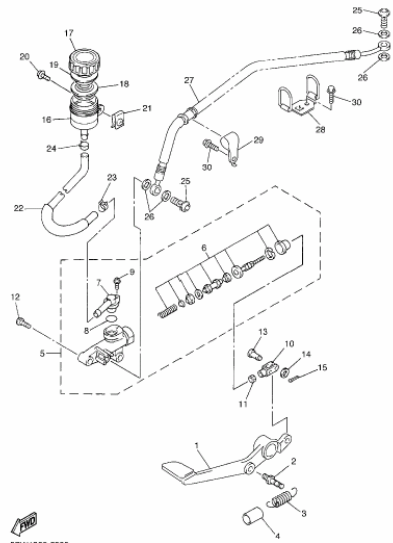


Ref. No.	Part No.	Description
1	5PW-27211-00-00	UNAVAILABLE
2	5JJ-27813-00-00	PIN, PEDAL CRANK
3	90506-20377-00	SPRING, TENSION
4	90446-17346-00	HOSE (3GM)
5	3TU-2583V-01-00	RR. MASTER CYLINDE
6	3TU-W0042-51-00	* CYL. KIT, MASTER
7	3LN-2582A-00-00	* CONNECTOR
8	3LN-2585F-00-00	* O-RING
9	3LN-2585H-00-00	* SCREW SET
10	4XV-27222-01-00	JOINT
11	95304-08700-00	95380-08700-00
12	90109-06013-00	BOLT
13	91701-06016-00	PIN, CLEVIS
14	92307-06200-00	WASHER (6TA)
15	91401-16012-00	91401-16020-00
16	5JJ-25804-00-00	TANK, RESERVOIR
17	3XP-25852-50-00	CAP, RESERVOIR
18	2VN-25854-00-00	DIAPHRAGM RESERVOIR
19	2VN-25855-00-00	BUSH, DIAPHRAGM
20	90159-06005-00	95517-06020-00
21	90183-06009-00	NUT, SPRING (HES)
22	5PW-25835-00-00	UNAVAILABLE
23	90467-14057-00	CLIP, SCISSOR
24	90467-11044-00	CLIP, SCISSOR
25	90401-10172-00	BOLT, UNION

Catalog Title:
2002 YZF-R1P/PC

Block No. Block Title:
E-9 REAR MASTER CYLINDER

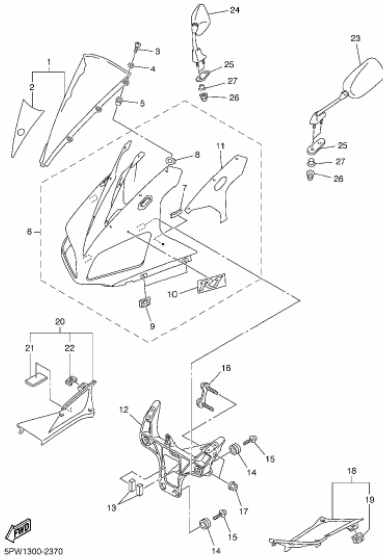
Ref. No.	Part No.	Description
20	90201-10116-00	WASHER, PLATE
27	5PW-25374-00-00	UNAVAILABLE
28	5PW-25886-00-00	UNAVAILABLE
29	5EB-25886-01-00	HOLDER, BRAKE HOSE
30	95027-06020-00	BOLT, FLANGE (6U1)



Catalog Title:
2002 YZF-R1P/PC

Block No.
E-10

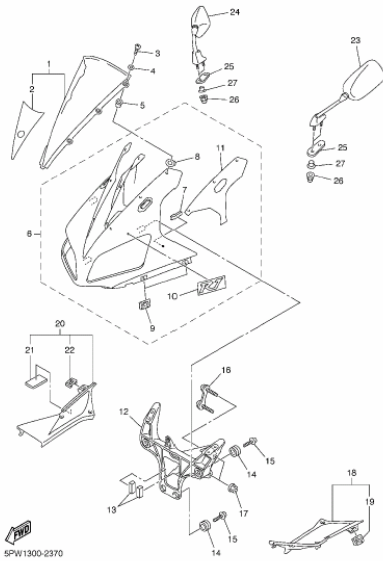
Block Title:
COWLING 1



Ref. No.	Part No.	Description
1	5PW-Y2681-10-00	UNAVAILABLE
2	5PW-2652P-00-00	» UNAVAILABLE
3	90150-05024-00	SCREW, PLASTIC
4	90202-05123-00	WASHER, PLATE
5	90179-05523-00	NUT, SPEC. L. SHAPE
6	5PW-Y283G-10-P1	UNAVAILABLE
6	5PW-Y283G-00-P0	UNAVAILABLE
6	5PW-Y283G-20-P2	UNAVAILABLE
7	1HX-27415-00-00	» PLATE, FOOTREST
8	5JJ-2834W-00-00	» PROTECTOR 2
9	5PW-2177L-00-00	» UNAVAILABLE
10	5PW-28315-10-00	» UNAVAILABLE
10	5PW-28315-00-00	» UNAVAILABLE
10	5PW-28315-20-00	» UNAVAILABLE
11	5PW-283A0-00-00	» UNAVAILABLE
12	5PW-26356-00-00	UNAVAILABLE
13	5DM-28371-00-00	UNAVAILABLE
14	4XV-83513-00-00	DAMPER
15	90164-00014-00	SCREW, TAPPING
16	4XV-28336-00-00	PLATE
17	95607-08200-00	95617-08200-00
18	5PW-Y283L-00-P0	UNAVAILABLE
19	5PW-2177L-00-00	» UNAVAILABLE
20	5PW-Y283M-00-P0	UNAVAILABLE
21	1TX-28371-00-00	» DAMPER

Catalog Title:
2002 YZF-R1P/PC

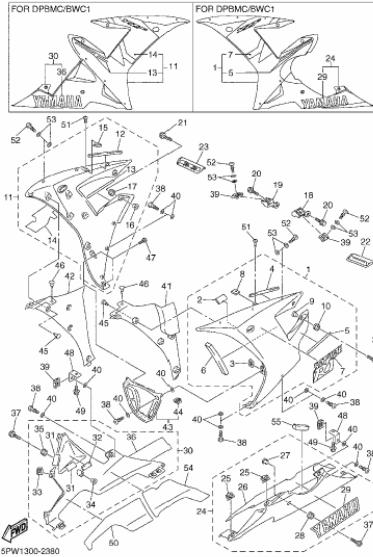
Block No. Block Title:
E-10 COWLING 1



Ref. No.	Part No.	Description
22	5PW-2177L-00-00	* UNAVAILABLE
23	5PW-26280-00-00	UNAVAILABLE
24	5PW-26290-00-00	UNAVAILABLE
25	4SV-26298-00-00	PLATE, MIRROR FITT
26	90176-06055-00	NUT, CROWN
27	90387-06024-00	COLLAR

Catalog Title:
2002 YZF-R1P/PC

Block No. Block Title:
E-12 COWLING 2

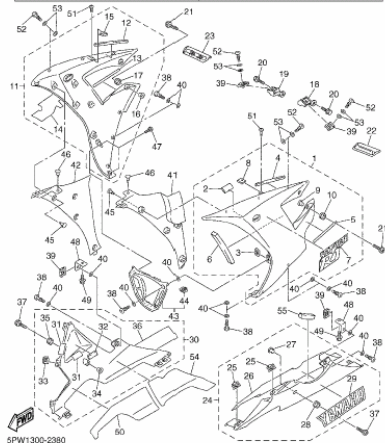
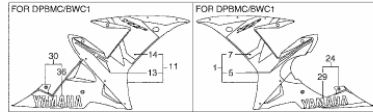


Ref. No.	Part No.	Description
1	5PW-Y283U-30-P1	UNAVAILABLE
1	5PW-Y283U-00-P0	UNAVAILABLE
1	5PW-Y283U-20-P2	UNAVAILABLE
2	1TX-28371-00-00	» DAMPER
3	5PW-2177L-00-00	» UNAVAILABLE
4	5PW-28307-00-00	» UNAVAILABLE
5	5PW-28328-A0-00	» UNAVAILABLE
5	5PW-28328-20-00	» UNAVAILABLE
5	5PW-28328-00-00	» UNAVAILABLE
6	5PW-28371-00-00	» UNAVAILABLE
7	5PW-28393-00-00	» UNAVAILABLE
7	5PW-28391-20-00	» UNAVAILABLE
7	5PW-28391-00-00	» UNAVAILABLE
8	90183-03074-00	» NUT, SPRING
9	90387-065J6-00	» COLLAR
10	90480-12596-00	» GROMMET (4FM)
11	5PW-Y283V-40-P1	UNAVAILABLE
11	5PW-Y283V-00-P0	UNAVAILABLE
11	5PW-Y283V-20-P2	UNAVAILABLE
12	5PW-28307-00-00	» UNAVAILABLE
13	5PW-28338-A0-00	» UNAVAILABLE
13	5PW-28338-00-00	» UNAVAILABLE
13	5PW-28338-20-00	» UNAVAILABLE
14	5PW-28394-00-00	» UNAVAILABLE
14	5PW-28392-00-00	» UNAVAILABLE

Catalog Title:
2002 YZF-R1P/PC

Block No.
E-12

Block Title:
COWLING 2

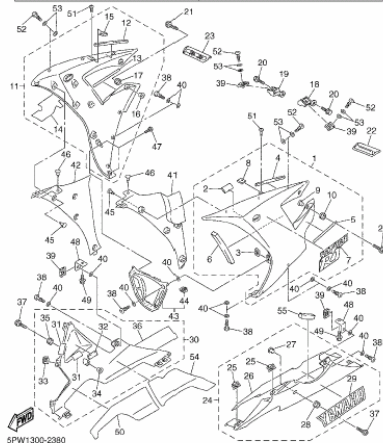
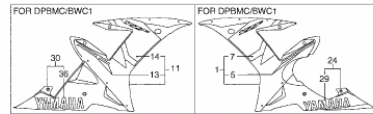


5PW1300-2380

Ref. No.	Part No.	Description
14	5PW-2839Z-20-00	* UNAVAILABLE
15	90183-03074-00	* NUT, SPRING
16	90387-065J6-00	* COLLAR
17	90480-12566-00	* GROMMET (4FM)
18	5PW-2830A-00-00	UNAVAILABLE
19	5PW-2838E-00-00	UNAVAILABLE
20	90119-06000-00	BOLT, WITH WASHER
21	90149-06302-00	SCREW, SPEC'L SHAPE
22	5PW-2832M-00-00	UNAVAILABLE
23	5PW-2832N-00-00	UNAVAILABLE
24	5PW-Y2808-20-P2	UNAVAILABLE
24	5PW-Y2808-00-P0	UNAVAILABLE
24	5PW-Y2808-10-P1	UNAVAILABLE
25	5PW-2177L-00-00	* UNAVAILABLE
26	5PW-2848L-00-00	* UNAVAILABLE
27	90387-065J6-00	* COLLAR
28	90480-12566-00	* GROMMET (4FM)
29	90241-00320-00	* EMBLEM, YAMAHA
29	90247-00320-00	* EMBLEM, YAMAHA
29	90246-00320-00	* EMBLEM, YAMAHA
30	5PW-Y2809-20-P2	UNAVAILABLE
30	5PW-Y2809-00-P0	UNAVAILABLE
30	5PW-Y2809-10-P1	UNAVAILABLE
31	1JK-21735-00-00	* SEAL 2
32	1TX-28371-00-00	* DAMPER

Catalog Title:
2002 YZF-R1P/PC

Block No. Block Title:
E-12 COWLING 2



SPW1300-2380

Ref. No.	Part No.	Description
33	5PW-2177L-00-00	* UNAVAILABLE
34	90287-06335-00	* COLLAR
35	90480-12506-00	* GROMMET (4FM)
36	99241-00320-00	* EMBLEM, YAMAHA
36	99247-00320-00	* EMBLEM, YAMAHA
36	99246-00320-00	* EMBLEM, YAMAHA
37	90149-06302-00	SCREW SPEC'L SHAPE
38	5PW-28386-00-00	UNAVAILABLE
39	5PW-2177L-00-00	* UNAVAILABLE
40	2TK-21757-00-00	WASHER,SPECIAL 1
41	5PW-2836K-00-00	UNAVAILABLE
42	5PW-2836L-00-00	UNAVAILABLE
43	5PW-Y2835-00-00	UNAVAILABLE
44	5PW-2177L-00-00	* UNAVAILABLE
45	90269-06081-00	RIVET
46	90269-07077-00	RIVET
47	97707-50016-00	SCREW, TRUSS
48	5PW-2838F-00-00	UNAVAILABLE
49	95817-06012-00	BOLT, FLANGE
50	5PW-2848M-00-00	UNAVAILABLE
51	90154-05013-00	SCREW BINDING
52	5PW-28386-00-00	UNAVAILABLE
53	2TK-21757-00-00	WASHER,SPECIAL 1
54	5PW-2848N-00-00	UNAVAILABLE
55	5PW-2834E-00-00	UNAVAILABLE

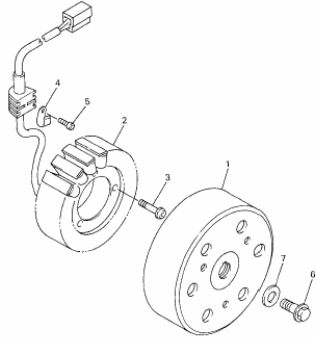
Catalog Title:
2002 YZF-R1P/PC

Block No.
F-3

Block Title:
GENERATOR

Yamaha

Ref. No.	Part No.	Description
1	5PW-81450-00-00	UNAVAILABLE
2	5PW-81410-00-00	UNAVAILABLE
3	90149-06013-00	SCREW
4	90465-14011-00	UNAVAILABLE
5	90110-06018-00	UNAVAILABLE
6	90105-105A6-00	BOLT, WASHER BASED
7	90201-103U7-00	WASHER, PLATE




4XY352-6380

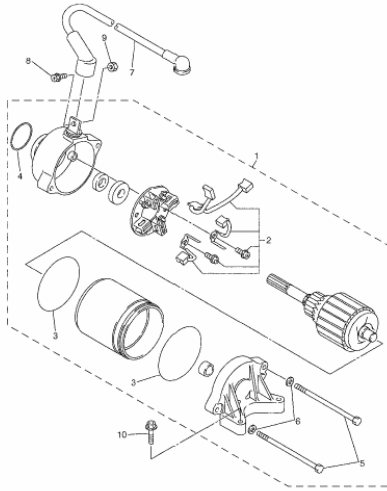
Catalog Title:
2002 YZF-R1P/PC

Yamaha

Block No.
F-4

Block Title:
STARTING MOTOR

Ref. No.	Part No.	Description
1	5PW-81990-00-00	UNAVAILABLE
2	5PW-81931-00-00	* UNAVAILABLE
3	93210-55669-00	* O-RING
4	93210-25711-00	* O-RING
5	5PW-81846-00-00	* UNAVAILABLE
6	5PW-8181L-00-00	* UNAVAILABLE
7	5PW-81833-00-00	UNAVAILABLE
8	5J1-81528-00-00	BOLT 2
9	95317-05700-00	* NUT-HEXAGON SMALL
10	95027-06025-00	90105-060A0-00



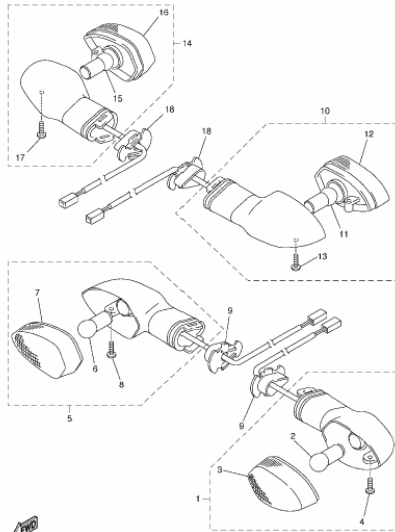

5PW1300-2400

Catalog Title:
2002 YZF-R1P/PC

Block No.
F-5

Block Title:
FLASHER LIGHT

Yamaha



5PW1300-2410

Ref. No.	Part No.	Description
1	5PW-83310-10-00	UNAVAILABLE
2	5GJ-83331-00-00	» UNAVAILABLE
3	5PW-8333A-10-00	» UNAVAILABLE
4	9770G-04012-00	» UNAVAILABLE
5	5PW-83320-10-00	UNAVAILABLE
6	5GJ-83331-00-00	» UNAVAILABLE
7	5PW-8334A-10-00	» UNAVAILABLE
8	9770G-04012-00	» UNAVAILABLE
9	5PW-83318-00-00	UNAVAILABLE
10	5PW-83330-10-00	UNAVAILABLE
11	5PW-83331-00-00	» UNAVAILABLE
12	5PW-8334A-10-00	» UNAVAILABLE
13	9770G-04012-00	» UNAVAILABLE
14	5PW-83340-10-00	UNAVAILABLE
15	5PW-83331-00-00	» UNAVAILABLE
16	5PW-8333A-10-00	» UNAVAILABLE
17	9770G-04012-00	» UNAVAILABLE
18	5PW-83318-00-00	UNAVAILABLE

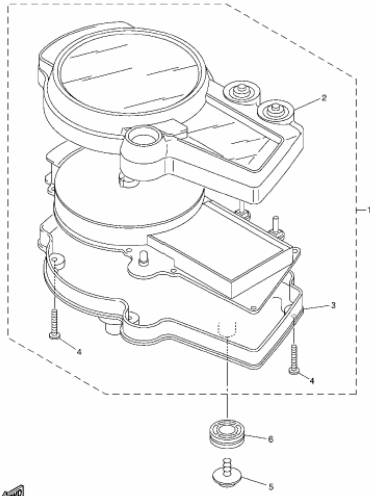
Catalog Title:
2002 YZF-R1P/PC

Yamaha

Block No.
F-6

Block Title:
METER

Ref. No.	Part No.	Description
1	5PW-83500-20-00	UNAVAILABLE
2	5PW-8353E-00-00	» UNAVAILABLE
3	5PW-83572-00-00	» UNAVAILABLE
4	97707-30016-00	» UNAVAILABLE
5	90164-05014-00	SCREW, TAPPING
6	4XV-83513-00-00	DAMPER




SPW1300-2420

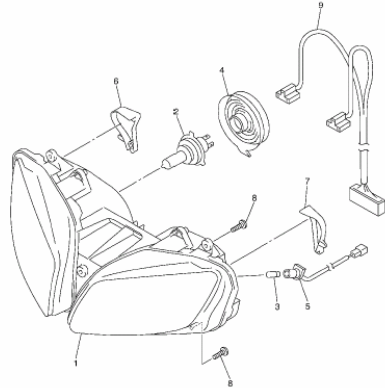
Catalog Title:
2002 YZF-R1P/PC

Block No.
F-7

Block Title:
HEADLIGHT

Yamaha

Ref. No.	Part No.	Description
1	5PW-84310-20-00	UNAVAILABLE
2	8V0-84314-10-00	UNAVAILABLE
3	4SV-84347-00-00	BULB (12V-5W)
4	4KM-84397-00-00	COVER, SOCKET
5	5PW-84312-00-00	UNAVAILABLE
6	5PW-84385-00-00	UNAVAILABLE
7	5PW-84386-00-00	UNAVAILABLE
8	97707-50016-00	SCREW, TRUSS
9	5PW-84359-10-00	UNAVAILABLE



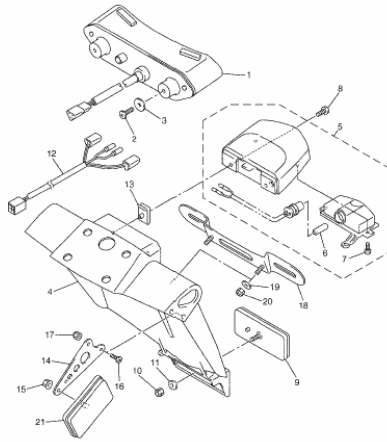
 5PW1300-2430

Catalog Title:
2002 YZF-R1P/PC

Yamaha

Block No.
F-8

Block Title:
TAILLIGHT



Ref. No.	Part No.	Description
1	5PW-84710-10-00	UNAVAILABLE
2	97707-50015-00	SCREW, TRUSS
3	90201-05033-00	WASHER, PLATE
4	5PW-21629-10-00	UNAVAILABLE
5	5PW-84745-00-00	UNAVAILABLE
6	4HC-84744-00-00	x 4SV-84347-00-00
7	97706-04012-00	x UNAVAILABLE
8	5PW-94725-00-00	UNAVAILABLE
9	3Y6-85130-02-00	REAR REFLECTOR ASY
10	95617-05100-00	x NUT, U
11	90201-05725-00	WASHER, PLATE
12	5PW-84717-00-00	UNAVAILABLE
13	4KB-84117-00-00	NUT
14	5PW-21638-00-00	UNAVAILABLE
15	95707-05500-00	NUT, FLANGE (3GM)
16	90150-04041-00	UNAVAILABLE
17	95607-04100-00	95617-04100-00
18	5MT-84751-00-00	BRACKET, LICENSE
19	90201-06057-00	WASHER, PLATE
20	95607-06100-00	x 95617-06100-00
21	3Y6-85130-02-00	REAR REFLECTOR ASY

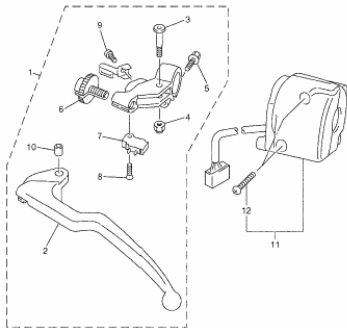
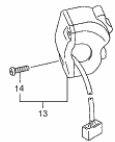
SPWW4110-2440

Catalog Title:
2002 YZF-R1P/PC

Yamaha

Block No. Block Title:
F-9 HANDLE SWITCH, LEVER

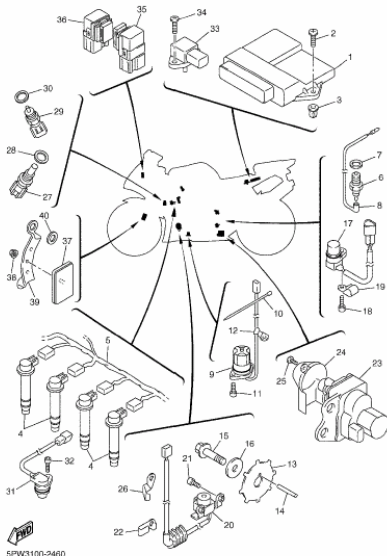
Ref. No.	Part No.	Description
1	4XV-82910-13-00	UNAVAILABLE
2	4XV-83912-11-00	* LEVER 1
3	4XV-83945-00-00	* BOLT, LEVER
4	95617-06100-00	* NUT, U
5	95027-06020-00	* BOLT, FLANGE(6U1)
6	5LV-83951-00-00	* BOLT, CABLE ADJUST
7	4XV-82917-01-00	* UNAVAILABLE
8	98707-03015-00	* SCW, OVL HD
9	98507-04010-00	* SCREW,PAN-HEAD
10	5JJ-83913-00-00	* COLLAR, LEVER 1
11	5PW-83973-00-00	UNAVAILABLE
12	98507-05025-00	* SCREW,PAN HEAD
13	5PW-83975-00-00	UNAVAILABLE
14	90157-05057-00	* SCREW, PANHEAD



 5PW4110-2450

Catalog Title:
2002 YZF-R1P/PC

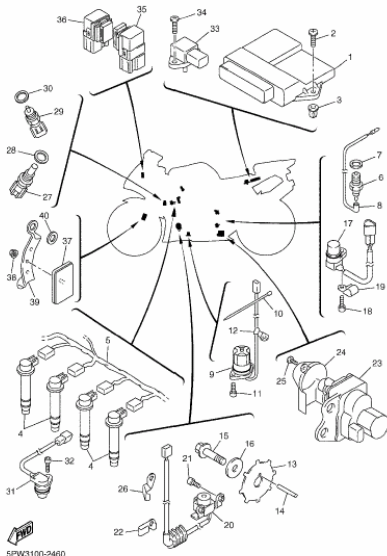
Block No. Block Title:
F-10 ELECTRICAL 1



Ref. No.	Part No.	Description
1	5PW-8591A-21-00	UNAVAILABLE
1	5PW-8591A-31-00	UNAVAILABLE
2	97707-60020-00	SCREW,TAPPING
3	90338-08226-00	PLUG,SPECL SHAPE
4	5PW-82310-00-00	UNAVAILABLE
5	5PW-82309-00-00	UNAVAILABLE
6	3GB-82540-01-00	NEUTRAL SWITCH ASSY
7	90430-10171-00	GASKET
8	5JJ-82541-00-00	WIRE, LEAD
9	5PW-85720-00-00	UNAVAILABLE
10	5Y9-12491-00-00	CLAMP 1
11	91317-06014-00	BOLT
12	90465-08013-00	CLAMP
13	5PW-81673-00-00	UNAVAILABLE
14	93604-29151-00	PIN,DOWEL
15	95814-10040-00	BOLT,FLANGE
16	90201-107K6-00	WASHER, PLATE(1WG)
17	4XV-83755-01-00	SENSOR, SPEED
18	91317-06014-00	BOLT
19	90465-08029-00	CLAMP
20	5PW-81670-00-00	UNAVAILABLE
21	90110-06018-00	UNAVAILABLE
22	90465-08191-00	CLAMP
23	5PW-85820-00-00	UNAVAILABLE
24	5PW-85829-00-00	UNAVAILABLE

Catalog Title:
2002 YZF-R1P/PC

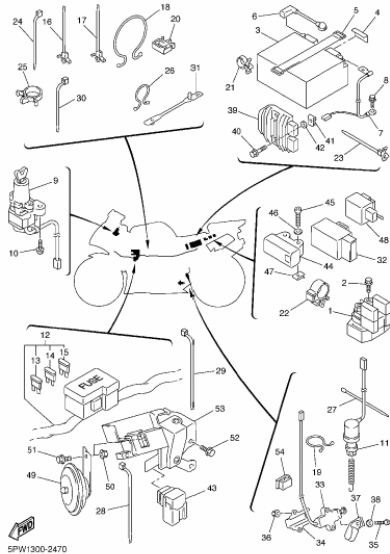
Block No. Block Title:
F-10 ELECTRICAL 1



Ref. No.	Part No.	Description
25	97707-50514-00	UNAVAILABLE
26	90462-03225-00	CLAMP
27	8CC-85790-01-00	THERMOSENSOR ASSY
28	90201-12790-00	WASHER, PLATE
29	5FL-85790-00-00	THERMOSENSOR ASSY
30	90430-12202-00	GASKET (2GH)
31	5PW-85896-00-00	UNAVAILABLE
32	90110-06019-00	UNAVAILABLE
33	5JW-82380-00-00	UNAVAILABLE
34	90167-05078-00	SCREW, TAPPING
35	5JJ-81950-10-00	RELAY ASSY
36	5JJ-81950-20-00	RELAY ASSY
37	20G-85110-00-00	23V-85110-00-00
38	95707-05500-00	NUT, FLANGE (3CM)
39	4XV-85112-00-00	BRACKET, REFLECTOR
40	90201-08759-00	WASHER, PLATE

Catalog Title:
2002 YZF-R1P/PC

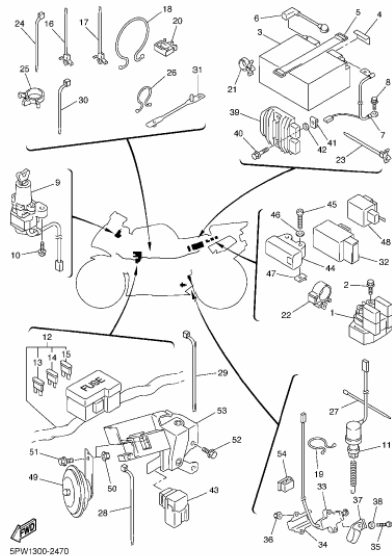
Block No. F-12 Block Title:
ELECTRICAL 2



Ref. No.	Part No.	Description
1	5JW-81940-00-00	UNAVAILABLE
2	95027-06009-00	BOLT, SMALL FLANGE
3	4TX-82100-02-00	UNAVAILABLE
4	2AL-84553-00-00	DAMPER
5	5JJ-82131-00-00	BAND, BATTERY
6	5PW-82115-00-00	UNAVAILABLE
7	5PW-82116-00-00	UNAVAILABLE
8	95S17-08012-00	BOLT, FLANGE
9	5PW-82501-10-00	UNAVAILABLE
10	90109-08035-00	BOLT
11	5PW-82530-00-00	UNAVAILABLE
12	5PW-82590-10-00	UNAVAILABLE
13	5JJ-82151-10-00	* FUSE (15A-BL)
14	5JJ-82151-20-00	* FUSE (20A-BL)
15	5JJ-82151-90-00	* UNAVAILABLE
16	90464-10112-00	CLAMP
17	90464-10112-00	CLAMP
18	90464-37257-00	CLAMP
19	90464-16039-00	CLAMP
20	90464-07004-00	UNAVAILABLE
21	90464-13133-00	CLAMP(3SK)
22	90464-16006-00	UNAVAILABLE
23	90464-10112-00	CLAMP
24	90464-15195-00	CLAMP
25	90464-15157-00	CLAMP

Catalog Title:
2002 YZF-R1P/PC

Block No. F-12 Block Title:
ELECTRICAL 2



Ref. No.	Part No.	Description
26	90464-16039-00	CLAMP
27	5Y9-12491-00-00	CLAMP 1
28	90464-15195-00	CLAMP
29	90464-15195-00	CLAMP
30	90464-13077-00	90464-13073-00
31	90464-17001-00	UNAVAILABLE
32	SPW-81950-00-00	UNAVAILABLE
33	5PX-82566-50-00	UNAVAILABLE
34	5JJ-82388-00-00	PLATE
35	92017-05030-00	BOLT, BUTTON HEAD
36	95607-05200-00	NUT,U FLANGE
37	90461-10002-00	Hose
38	90201-057H5-00	WASHER,PLATE
39	5JW-81990-00-00	RECTIFIER & REGULA
40	95827-06030-00	95817-06030-00
41	90183-06069-00	NUT, SPRING (4ES)
42	90202-06001-00	UNAVAILABLE
43	5JJ-81950-20-00	RELAY ASSY
44	5PS-82576-01-00	UNAVAILABLE
45	91317-04025-00	BOLT
46	90201-047A2-00	WASHER,PLATE
47	90183-04039-00	NUT,SPRING
48	4MY-83350-01-00	FLASHER,RELAY ASSY
49	3TB-83371-01-00	4KM-83371-00-00
50	95707-06500-00	NUT,FLANGE (4MV)

Catalog Title:
2002 YZF-R1P/PC

Block No. Block Title:
F-12 ELECTRICAL 2

Ref. No.	Part No.	Description
51	96817-06012-00	BOLT, FLANGE
52	96817-06012-00	BOLT, FLANGE
53	5PW-2134K-00-00	UNAVAILABLE
54	90464-06004-00	UNAVAILABLE

